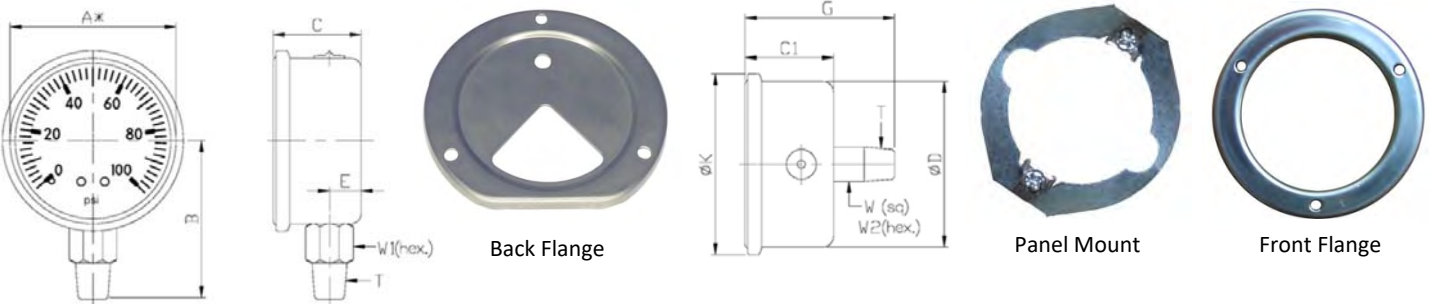


Liquid Filled General Purpose Pressure Gauge

Model 411

| | |
|---------------------------------|---|
| Case and bezel material: | 304 stainless steel, liquid filled with vent plug |
| Connection: | Copper alloy |
| Bourdon tube material: | Copper alloy |
| Working temperature: | Ambient = -20~60° C, Process = +70° C |
| Dial: | Black print (kPa) red print (PSI) on white background |
| Ranges: | -100~0 kPa to dual scale 0~40000 kPa/PSI |
| Connection: | ¼" BSPT for 63 mm, 3/8" BSPT for 100 mm |
| Surge Protection: | Available on request |
| Window: | Polycarbonate |
| Movement: | Copper alloy |
| Pointer: | Aluminium black finish |
| Accuracy: | +/- 2.5% of full scale |



Dimensions in mm

| | A* | B | C | C1 | D | E | G | K | W1 | W2 |
|-----|------|------|------|------|------|------|------|-------|------|------|
| 63 | 62.2 | 54.5 | 30.0 | 30.5 | 60.8 | 10.0 | 58.8 | 68.8 | 14.0 | 14.0 |
| 100 | 96.5 | 78.5 | 32.0 | 34.3 | 98.7 | 9.8 | 73.0 | 104.0 | 22.0 | 21.0 |

| Range (in kPa) | 63mm diameter | | 100mm diameter | | Accessories |
|-------------------------------|--------------------|--------------------------|--|--------------------------|---|
| | Lower Mount P/N | Centre Back Mount P/N | Lower Mount P/N | Centre Back Mount P/N | |
| -100-0 | 1613850H | 1615050 | 1618500H | | 63mm panel mount kit for CBM Gauge P/N: 1615950 |
| -100/+150 | 1613860H | | 1618525H | | |
| -100/+1000 | | | 1618527H | | |
| -100/+1600 | 1613880H | | 1618528H | | 63mm front flange for CBM Gauge P/N: 1615952 |
| 0-100 | 1613900H | 1615100 | | | |
| 0-250 | 1613950H | 1615150 | 1618530H | | |
| 0-400 | 1614000H | | 1618540H | | |
| 0-600 | 1614050H | 1615250 | | | Restrictor 0.46mm P/N: 1619915 |
| 0-800 | 1614100H | 1615300 | 1618560H | | |
| 0-1000 | 1614150H | 1615350 | 1618570H | | Restrictor 0.25mm P/N: 1619916 |
| 0-1600 | 1614200H | 1615400 * | 1618580H | 1618690 ** | |
| 0-2500 | 1614250H | 1615450 | 1618590H | | |
| 0-25 bar/360 PSI Isometric | 1614263 | 1615452 | 1618595 | | 63mm rubber boot P/N: 1619919 |
| 0-4000 | 1614300H | 1615500 | 1618600H | | |
| 0-6000 | 1614325H | 1615550 | 1618610H | | |
| 0-8000 | 1614350H | 1615600 | | | |
| 0-10000 | 1614400H | | | | |
| 0-16000 | 1614450H | 1615650 | | | |
| 0-25000 | 1614520H | 1615700 | * = Available with U-Bracket P/N 1615402 | | Back Flange, Suit 63mm for LM Gauge P/N: 1369997 |
| 0-40000 | 1614580H | 1615930 | ** = Liquid fillable | | |
| 0-55000 | | 1615945 | | | Back Flange, Suit 100mm for LM Gauge P/N: 2701997 |
| 0-60000 | 1614589H | | | | |
| Weight gms | 225 | 260 | 515 | 335 | |

Revision: 0115