



TD8

Rotary piston volumetric type water meter

TD8 is a piston type meter with extra dry register for residential and commercial & industrial applications for portable water quality.

FEATURES AND BENEFITS

- » Very large measuring range
- » Pre-equipped for communication
- » Very low starting flow

The Technology

TD8 combines the advantages of piston type technology together with proven reliability of the extra dry register. No gears in contact with water.

The smooth piston chamber ensures long term accuracy. The irreversible meter cap mounting makes it totally tamperproof without the use of lead seals.

Standard Compliance

- » NMI R49-1 class 2 in all positions
- » AS 3565.1

Measuring Range

- » Very low starting flow allows leakage detection
- » Very large measuring range with Q3/Q1 Ratio up to R400 (DN20)

Easy Reading

TD8 extra dry register offers the following benefits:

- » Rotation close to 360° on site

- » Large numbered rollers with good contrast for excellent reading capability
- » Wiper ensures readability of the extra-dry register in tough humid conditions
- » Leakage Detector dial on meter can be used to identify water loss
- » Case protection: IP 68

Communication Device

- » Pre-equipped for future communication through Cyble

WORKING PRINCIPLE

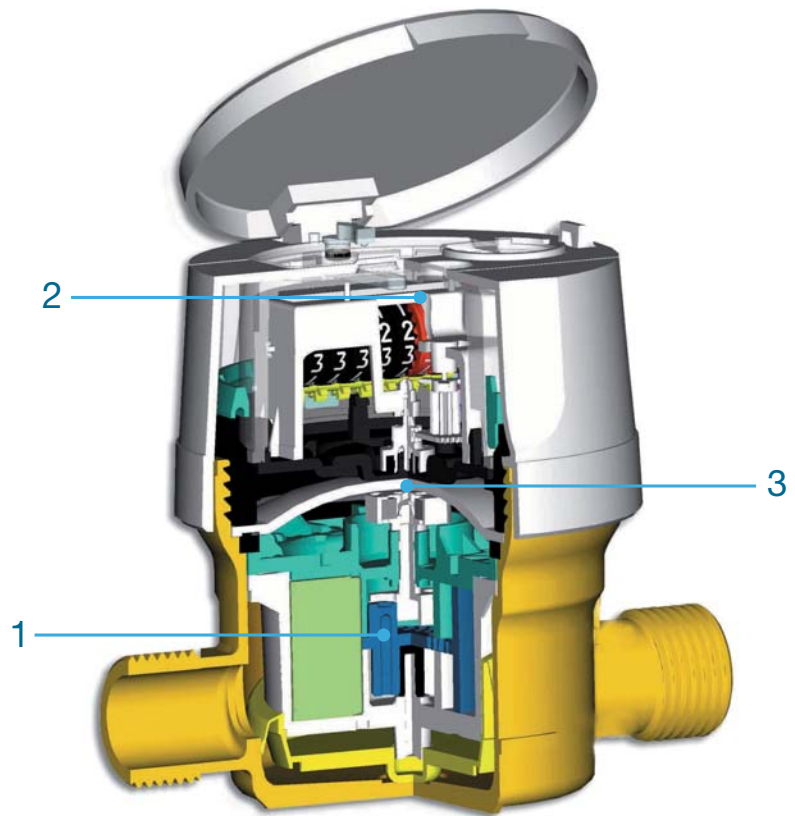
The TD8 has two main components; the hydraulics that allows measurement of the water flow and the register that displays the measured water volume.

Transmission interface between those components is achieved by a magnetic coupling **3**.

TD8 is a piston type volumetric meter **1**. Each rotation of the piston in the measuring chamber represents a given volume of water passing through.

The magnetic coupling transmission, standard on the TD8 line, is accompanied by an extra dry register **2**.

Both gears and the register are in a waterproof and air tight enclosure.



COMMUNICATION

The TD8 is supplied pre-equipped with Cyble Target

Allows communication and remote reading through:

- » Pulse output (Cyble Sensor)
- » Radio frequency wireless link (EverBlu)

Key Advantages of Cyble Technology

- » No need for additional investment on the meter to implement remote reading

- » Itron standardised meter interface, irrespective of meter technology and widely spread on Itron water meter range
- » Reliability brought by electronic switch (no wear or bouncing)
- » Reverse flow management
- » Principle proven in the field for more than 8 years
- » Pre-equipment being immune to magnetic tampering



EverBlu cyble fitted on TD8 DN20

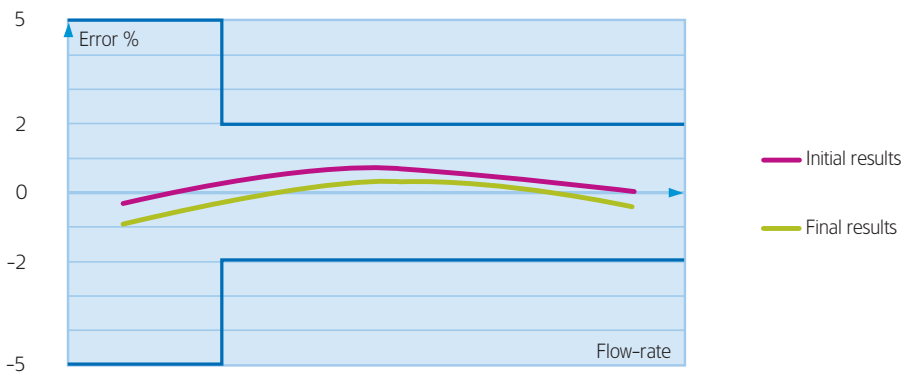
METROLOGICAL CHARACTERISTICS

Meter Capacity	m ³ /h	20	25	32
NMI R49-1 approval			14/3/3	
Maximum admissible temperature	°C		30*	
Maximum temperature for short period	°C		50	
Maximum admissible pressure	kPa	1400/1600		1200
Pressure loss P (Q4)	kPa		<100	
Flow rate ratio (Q3/Q1)		200/400	250	250
Overload flow rate (Q4)	m ³ /h	5	7.875	12.5
Permanent flow rate (Q3)	m ³ /h	4	6.3	10
Transitional flow rate (Q2)	l/h	16/32	40	64
Minimum flow rate (Q1)	l/h	10/20	25	40
Starting flow rate	l/h	2	6	11
Indication range	m ³		10 ⁶	
Minimum scale interval	l		0.5	
Communication pre-equipment			Cyble Technology	

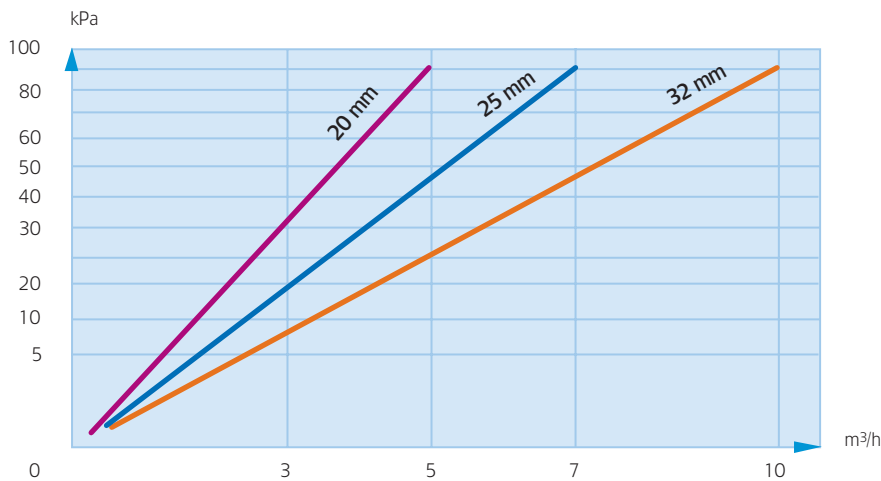


TD8 coaxial version

ENDURANCE CURVE



HEAD LOSS



TD8 indicator

DIMENSIONS

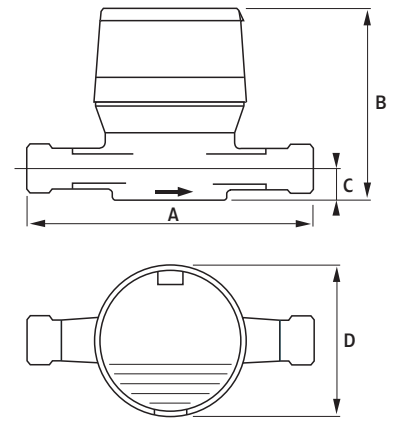
Nominal diameter (DN)	mm	20	25	32	Coaxial
Meter Thread	inches mm	G 1 ¼ 12-8"	G 1 ¼ (4 TPI) 38-8" (14 TPI)	- -	G 1 ½ -
A	mm	154*	175/178	200	-
B	mm	143	156	156	150
C	mm	20	44	44	-
D	mm	88	100	110	88
Weight	kg	1.54	3.1	3.8	1.13

* Other available lengths 140 mm

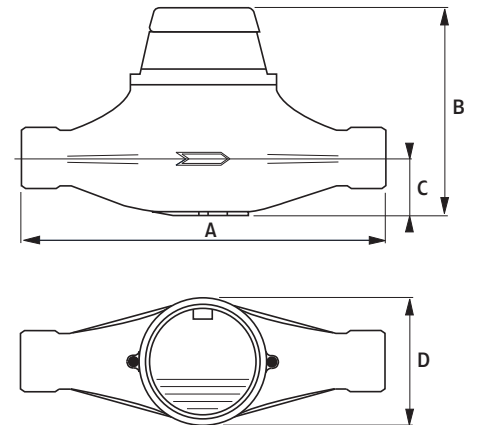
OPTIONS (NONE EXHAUSTIVE LIST)

TD8 meters may be fitted with:

- » Removable 316 stainless steel filter inserted in the inlet
- » Frost resistant
- » Colour coded body available
- » Copper/glass register



DN 15-20



DN 32 Flanged



Our company is the world's leading provider of smart metering, data collection and utility software systems, with over 8,000 utilities worldwide relying on our technology to optimize the delivery and use of energy and water.

To realize your smarter energy and water future, start here: www.itron.com

For more information, contact your local sales representative or agency:

All Valve Industries Pty Ltd

U2, 18-28 Sir Joseph Banks Drive, Kurnell NSW 2231
Ph: +61 2 8543 9811 · Fax: +61 2 8543 9822
www.allvalve.com.au · info@allvalve.com.au

ITRON WATER METERING

8 Rosberg Road
Wingfield, SA, 5013
Adelaide - Australia

Phone: +61 (8) 8169 2500

Fax: +61 (8) 8169 2552

Email: adelaidereception@itron.com