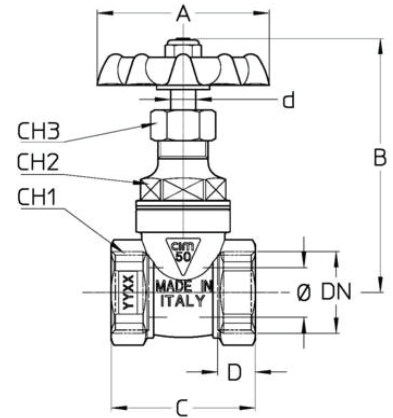


# CIM 50 Gate Valve

## Female/Female Untested Gate Valve

It can be used in a wide variety of sectors: heating, air conditioning, water, sanitary systems, oil pipelines, gasoline networks, saturated steam and generally with any non corrosive liquid.

It is made of a brass alloy that complies with standard EN 12165-CW617N-M.  
Nominal Pressure: PN16, Operating temperature: -10 ÷ 150°C



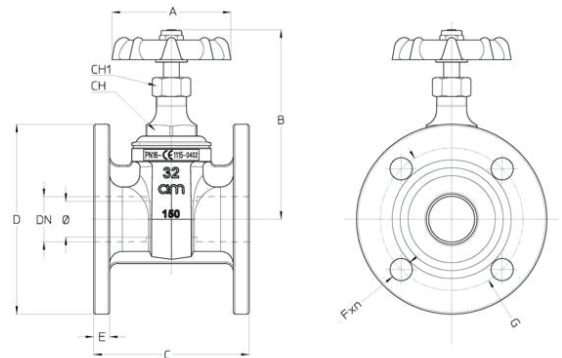
DN	1/2"	3/4"	1"	1"1/4	1"1/2	2"	2"1/2	3"	4"
Ø mm	13	16	23	28	33	45	59	68	85
<b>Grms.</b>	<b>210</b>	<b>255</b>	<b>365</b>	<b>510</b>	<b>695</b>	<b>1120</b>	<b>2065</b>	<b>2835</b>	<b>4960</b>
A	50	55	60	65	65	80	110	110	120
B	79	82,5	95,5	102,5	115,5	139	180	201	239,5
C	42	46	50	55	60	67	69	77	91
D	11,5	12	14	16	17	18	14,5	19	21
CH1	25	31	37	47	54	68	85	97	125
CH2	24	24	30	32	32	45	55	66	88
CH3	18	18	18	18	21	23	30	30	33
d	8	8	8	8	9	10	13	13	14

# CIM 72F Gate Valve

## Flanged Un-drilled Bronze Gate Valve

It can be used in a wide variety of sectors: heating, air conditioning, water, sanitary systems, pneumatic systems, oil pipelines, gasoline networks, saturated steam and generally with any non corrosive liquid.

It is made of a bronze alloy that complies with standard EN 1982-CC491K.  
Nominal Pressure: PN16 (DN 15 ÷ 100); PN10 (DN 125 and 150)  
Operating temperature: -10 ÷ 170°C (DN 15 ÷ 100); -10 ÷ 150°C (DN 125 and 150)



DN	1/2"	3/4"	1"	1"1/4	1"1/2	2"	2"1/4	2"1/2	3"	4"	5"	6"
Ø mm	15	20	25	32	40	50	60	70	80	100	125	150
<b>Grms.</b>	<b>1195</b>	<b>1600</b>	<b>2155</b>	<b>3010</b>	<b>3150</b>	<b>4530</b>	<b>5895</b>	<b>7415</b>	<b>8650</b>	<b>13655</b>	<b>20660</b>	<b>26560</b>
A	55	60	65	75	80	90	90	110	120	140	175	175
B	84	95	102	120	134	150	173	185	205	250	306	360
C	68	85	89	97,5	113	124	140	153,5	158	169,5	192	210
D	95	105	119	138,5	147	165	175	183,5	199	229	259	289
E	9	9	10	10	10,5	10,5	12	12	12	15	18	18
Fxn	14x4	14x4	14x4	18x4	18x4	18x4	18x4	18x4	18x8	18x8	18x8	22x8
G	65	75	85	100	110	125	135	145	160	180	210	240
CH	24	30	32	32	39	47	49	55	66	84	114	136
CH1	18	18	18	21	23	25	25	30	30	37	45	50