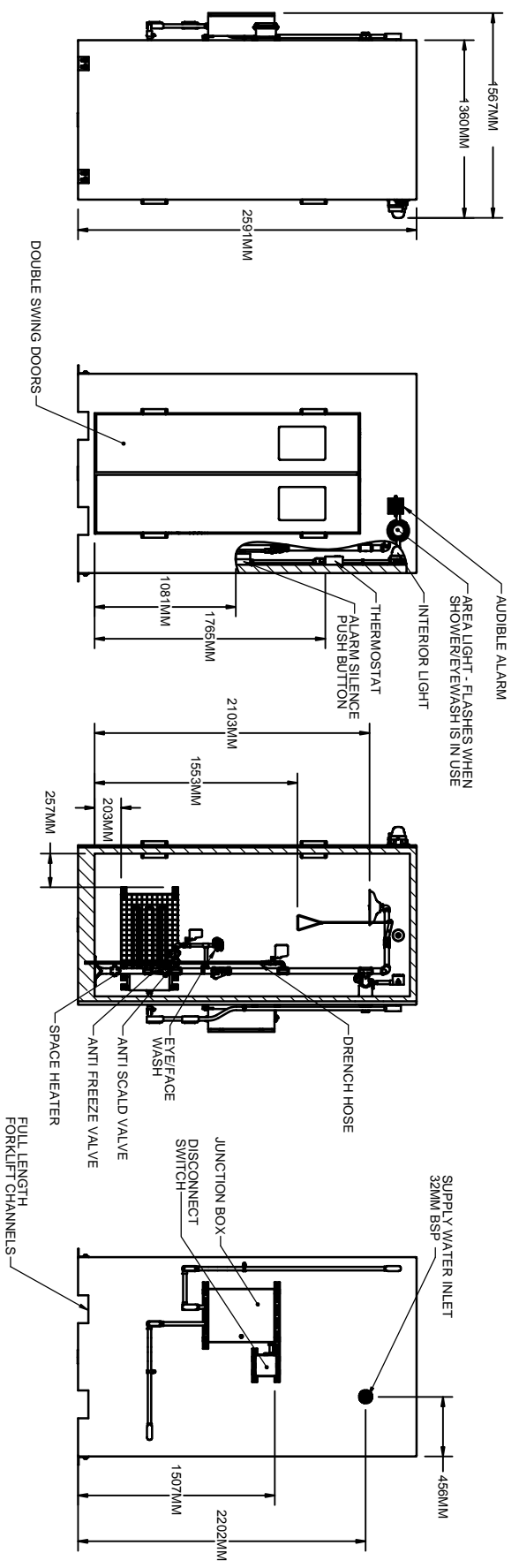
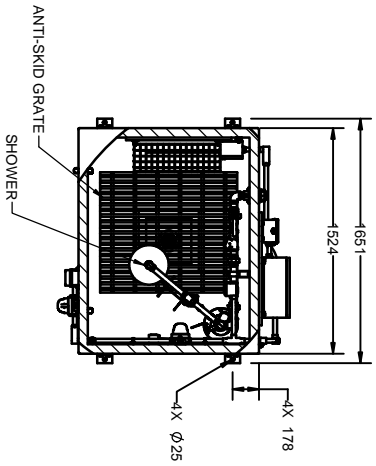


REV	DESCRIPTION	DATE
1	INITIAL RELEASE	1/2016
2	INITIAL RELEASE	1/2016
3	INITIAL RELEASE	1/2016

- NOTES:
1. DIMENSIONS IN US INCHES.
 2. ALL TOLERANCES: 1/2"
 3. AREA CLASSIFICATION: UNCLASSIFIED
 4. MATERIAL:
PIPE - GALVANIZED SCHEDULE 40
FITTINGS - GALVANIZED CLASS 150
VALVES - BRONZE
 5. ESTIMATED WEIGHT: DRY - 1200 LBS / WET - 1400 LBS



THE ATTACHED DESIGNS ARE CONSIDERED TRADE SECRETS AND POTENTIALLY PATENTABLE. IN ACCORDANCE WITH CONFIDENTIALITY AND POTENTIAL PATENTABLE, NO INFORMATION CAN BE DISSEMINATED OR USED CONCEPTUALLY WITHOUT HAWS EXPRESS WRITTEN CONSENT.

BILL OF MATERIAL

DESCRIPTION	QTY	UNIT
ENCLOSED BOOTH WITH SHOWER DRENCH HOSE AND EYEWASH	1	EA

NOTE: ALL DIMENSIONS ARE IN MILLIMETERS UNLESS OTHERWISE SPECIFIED. DIMENSIONS ARE TO CENTER UNLESS OTHERWISE SPECIFIED. DIMENSIONS ARE TO FACE UNLESS OTHERWISE SPECIFIED. DIMENSIONS ARE TO CENTER UNLESS OTHERWISE SPECIFIED. DIMENSIONS ARE TO FACE UNLESS OTHERWISE SPECIFIED.

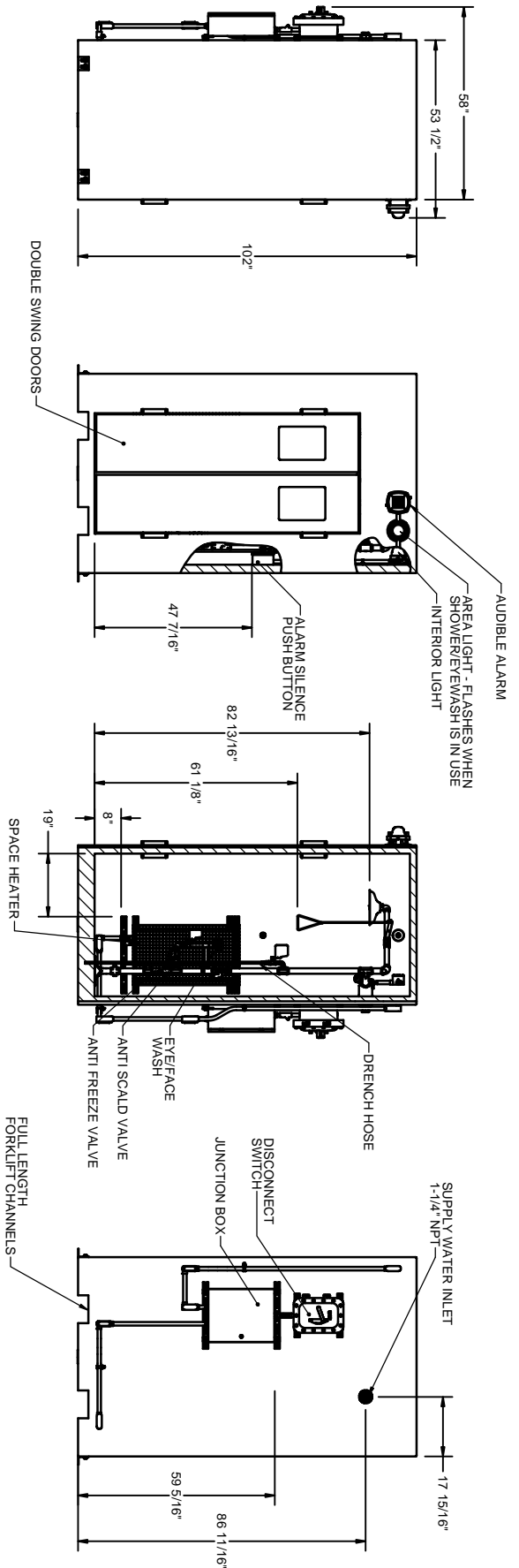
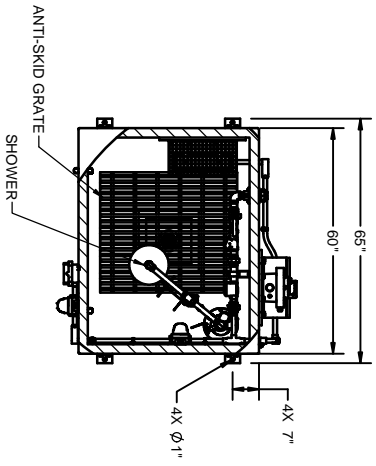
SCALE: 1/4" = 1'-0"

DATE: 1/2016

REV: 1

REV	DESCRIPTION	DATE
1	INITIAL RELEASE	1/2016
2	REVISION	1/2016

- NOTES:
1. DIMENSIONS IN US INCHES.
 2. ALL TOLERANCES: $\pm 1/2"$
 3. AREA CLASSIFICATION: C:ID2 GROUP B,C & D 12D
 4. MATERIAL:
PIPE - GALVANIZED SCHEDULE 40
FITTINGS - GALVANIZED CLASS 150
VALVES - BRONZE
 5. ESTIMATED WEIGHT: DRY - 1200 LBS / WET - 1400 LBS



THE ATTACHED DESIGNS ARE CONSIDERED TRADE SECRETS AND POTENTIAL PATENTABLE. IN ACCORDANCE WITH CONFIDENTIALITY AND POTENTIAL PATENTABLE, HAWES AND OTHERS SHALL BE CONSIDERED AS CONCEPTUAL FORMS. THESE DESIGNS SHALL BE DISCLOSED OR USED WITHOUT HAWES' EXPRESS WRITTEN CONSENT.

BILL OF MATERIAL

HAWES HAWES ENGINEERING
3800 W. 10TH AVENUE
DENVER, CO 80202
TEL: 303.751.1000 FAX: 303.751.1001

ENCLOSED BOOTH WITH SHOWER
DRENCH HOSE AND EYEWASH

NOTE: ALL DIMENSIONS ARE IN INCHES UNLESS OTHERWISE SPECIFIED.
UNLESS OTHERWISE SPECIFIED, ALL DIMENSIONS ARE TO CENTERLINE UNLESS OTHERWISE SPECIFIED.

SCALE	1/4" = 1'
DATE	1/2016
DESIGNER	1/2016
DRWING	1/2016
CHECKED	1/2016
APPROVED	1/2016
PROJECT NO.	87300-32
REV	1