



model 8730

Outdoor Heated Shower and Eye/Face Wash Booth

FEATURES & BENEFITS

QUALITY CONTROL

Fully assembled and tested for quick placement and hook-up.

ALARM SYSTEM

Standard with audible and visible alarms controlled by a flow switch for immediate attention to an emergency.

SPACE HEATER

Wall mounted natural convection 2.5 kw space heater provides moderate booth temperatures under any cold weather climate conditions.

EYE/FACE WASH

AXION® MSR eye/face wash head (patent pending) uses an inverted directional laminar flow to sweep contaminants away from the vulnerable nasal cavity.

ELECTRICAL SYSTEM OPTIONS

Option 31: Nema 4 water/dust tight. Option 32: Class I, Division 2, Groups B, C and D. Option 33: Class I, Division I, Groups C and D

PERFORMANCE SERIES

Offering a standardized line of water tempering solutions providing shorter lead times, advanced compliance, cost efficiencies, and customizable configuration options.

OPTIONS

For more information, visit www.hawsc.com or call (888) 640-4297.

PERFORMANCE SERIES



SPECIFICATIONS

Model 8730 heated enclosed shower and eye/face wash shall include an all-weather foam-insulated 4' x 5' (1.2 x 1.5 m) booth with a R-value of 11 provides an operating temperature range of -30° to 100° F (-34° to 38° C). It shall include dual spring-loaded, self-closing shower doors, and is trimmed with large directional arrows, universal shower/eyewash sign, fiberglass floor grate, and 3" IPS inside caulk drain. There is a 20 gpm (75.7 L) AXION® hydrodynamic shower head, an eye/face wash that features the medically acclaimed AXION® MSR eye/face wash head assembly (patent pending). This revolutionary inverted flow design is the only product on the market that provides a Medically Superior Response consistent with all EMT, emergency room and doctors' office protocols by sweeping contaminants away from the vulnerable nasal cavity, along with 3 gpm (11.4 L) to supply the side hanging drench hose. Chrome-plated brass stay-open shower, eye/face wash, and drench hose ball valves equipped with stainless steel ball and stem, and protected by scald and freeze bleed valves. The internal booth temperature is maintained by a natural convection 2.5kw space heater. The standard alarm system is flow switch activated, and provides local audible and visible alarms. Combination shower and eyewash is certified by CSA to meet the ANSI Z358.1 Standard for Emergency Eyewash and Shower Equipment

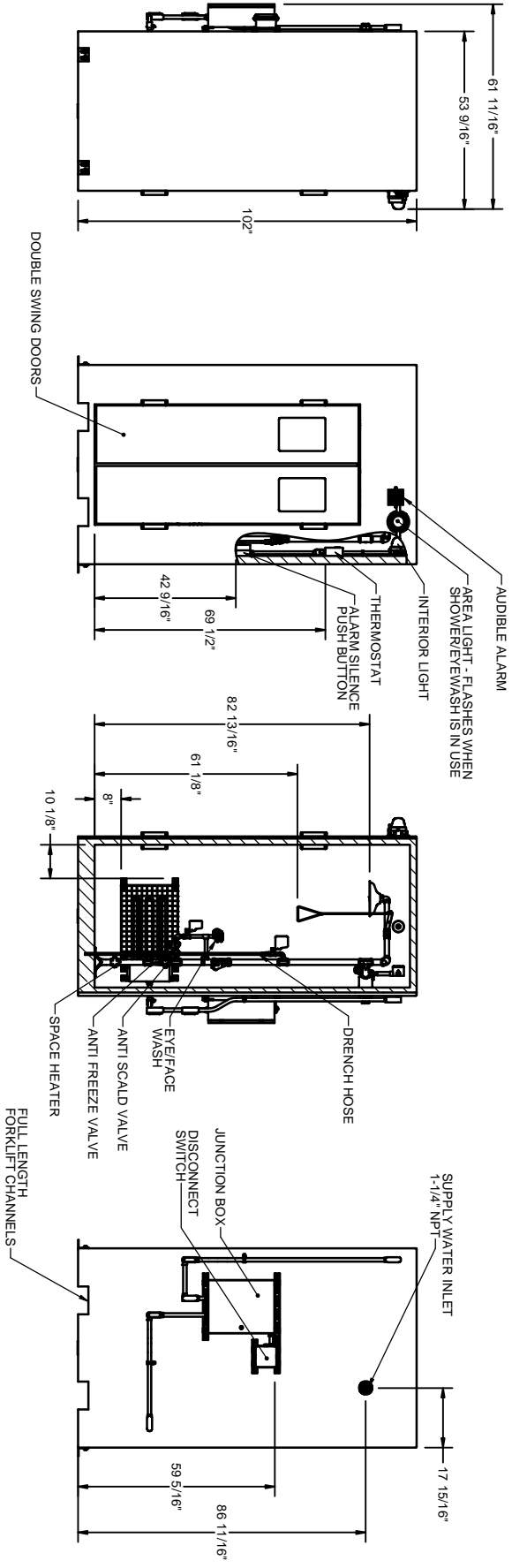
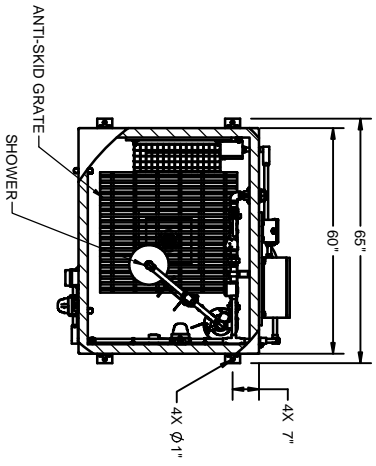
APPLICATIONS

Perfect for Petro-chemical, bio-diesel, and ethanol processing facilities, and other remote outdoor locations where drench showers with very cold water would pose a health hazard to employees and a liability to employers, or in shower areas exposed to cold air and wind where showering with very cold water could discourage proper flushing time.



REV	DESCRIPTION	DATE
1	INITIAL RELEASE	1/17/16
2	INITIAL RELEASE	1/17/16
3	INITIAL RELEASE	1/17/16
4	INITIAL RELEASE	1/17/16
5	INITIAL RELEASE	1/17/16

- NOTES:
1. DIMENSIONS IN US INCHES.
 2. ALL TOLERANCES: $\pm 1/2"$
 3. AREA CLASSIFICATION: UNCLASSIFIED
 4. MATERIAL:
PIPE - GALVANIZED SCHEDULE 40
FITTINGS - GALVANIZED CLASS 150
VALVES - BRONZE
 5. ESTIMATED WEIGHT: DRY - 1200 LBS / WET - 1400 LBS



THE ATTACHED DESIGNS ARE CONSIDERED TRADE SECRETS AND POTENTIALLY PATENTABLE. IN ACCORDANCE WITH CONFIDENTIALITY AND POTENTIAL PATENTABLE, HAWMS AND ITS AGENTS SHALL NOT BE HELD RESPONSIBLE FOR ANY REPRODUCTION, DISSEMINATION, OR USE OF THESE DESIGNS WITHOUT HAWMS' EXPRESS WRITTEN CONSENT.

BILL OF MATERIAL

Haws HAWMS RELEASE LINE
3800 W. 130th Street, Omaha, NE 68144, USA

ENCLOSED BOOTH WITH SHOWER DRENCH HOSE AND EYEWASH

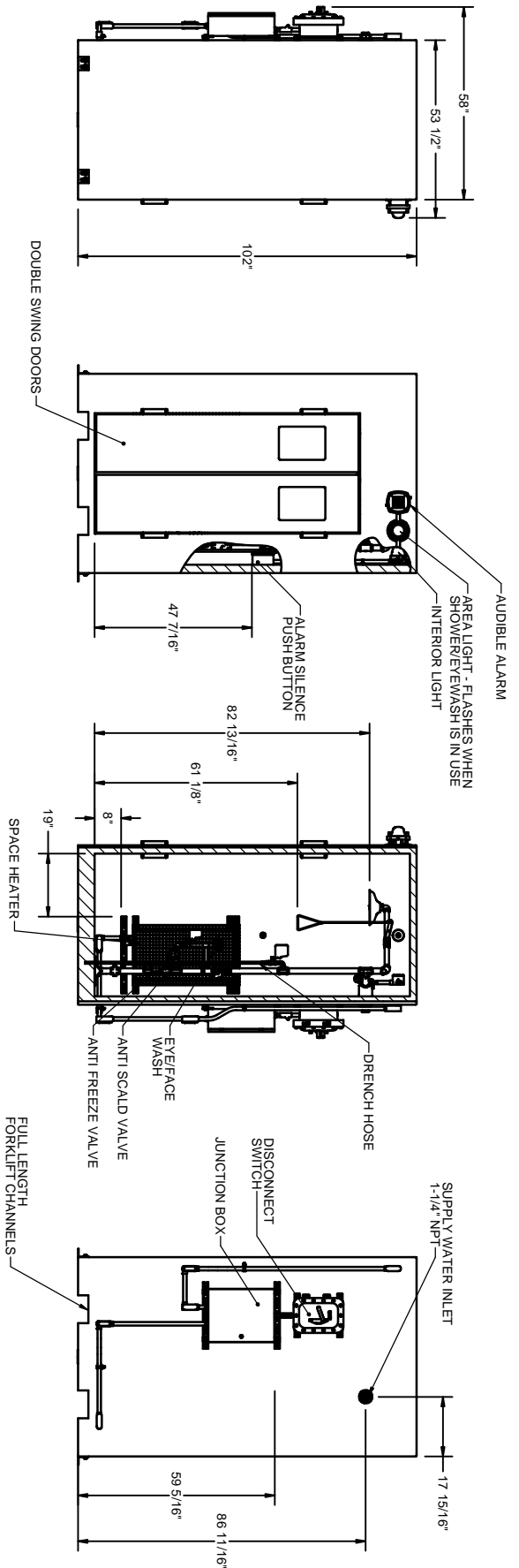
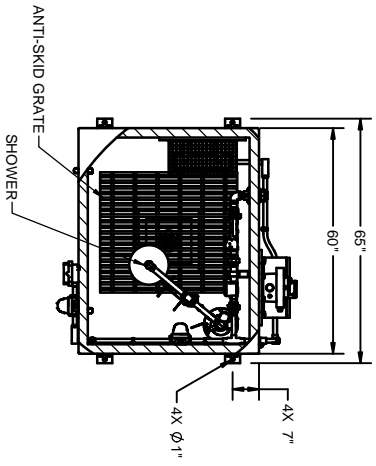
NOTE: BE PROHIBITED FROM REPRODUCING OR TRANSMITTING IN ANY FORM OR BY ANY MEANS, ELECTRONIC OR MECHANICAL, INCLUDING PHOTOCOPYING, RECORDING, OR BY ANY INFORMATION STORAGE AND RETRIEVAL SYSTEM, WITHOUT THE EXPRESS WRITTEN PERMISSION OF HAWMS CORPORATION.

DESCRIPTION	QTY	UNIT
ENCLOSED BOOTH WITH SHOWER DRENCH HOSE AND EYEWASH	1	EA

SCALE: 1/8" = 1'-0" PART NO. 8730-31

REV	DESCRIPTION	DATE
1	INITIAL RELEASE	11/20/10
2	REVISION	11/20/10
3	REVISION	11/20/10

- NOTES:
1. DIMENSIONS IN US INCHES.
 2. ALL TOLERANCES: $\pm 1/2"$
 3. AREA CLASSIFICATION: C:ID2 GROUP B,C & D 12D
 4. MATERIAL:
 - PIPE - GALVANIZED SCHEDULE 40
 - FITTINGS - GALVANIZED CLASS 150
 - VALVES - BRONZE
 5. ESTIMATED WEIGHT: DRY - 1200 LBS / WET - 1400 LBS



THE ATTACHED DESIGNS ARE CONSIDERED TRADE SECRETS AND POTENTIAL PATENTABLE. IN ACCORDANCE WITH CONFIDENTIALITY AND POTENTIAL PATENTABLE, HAWES AND OTHERS SHALL BE CONSIDERED AS CONCEPTUAL FORMS. THESE DESIGNS SHALL BE DISCLOSED OR USED WITHOUT HAWES' EXPRESS WRITTEN CONSENT.

BILL OF MATERIAL

DESCRIPTION	QTY	UNIT
ENCLOSED BOOTH WITH SHOWER DRENCH HOSE AND EYEWASH	1	EA

HAWES HAWES ENGINEERING
 10000 W. 10TH AVENUE
 DENVER, CO 80231
 PHONE: 303.751.1000
 FAX: 303.751.1001
 WWW.HAWES-ENGINEERING.COM

SCALE: 1/4" = 1'-0"
 PART NO. 8730-32
 REV. 1