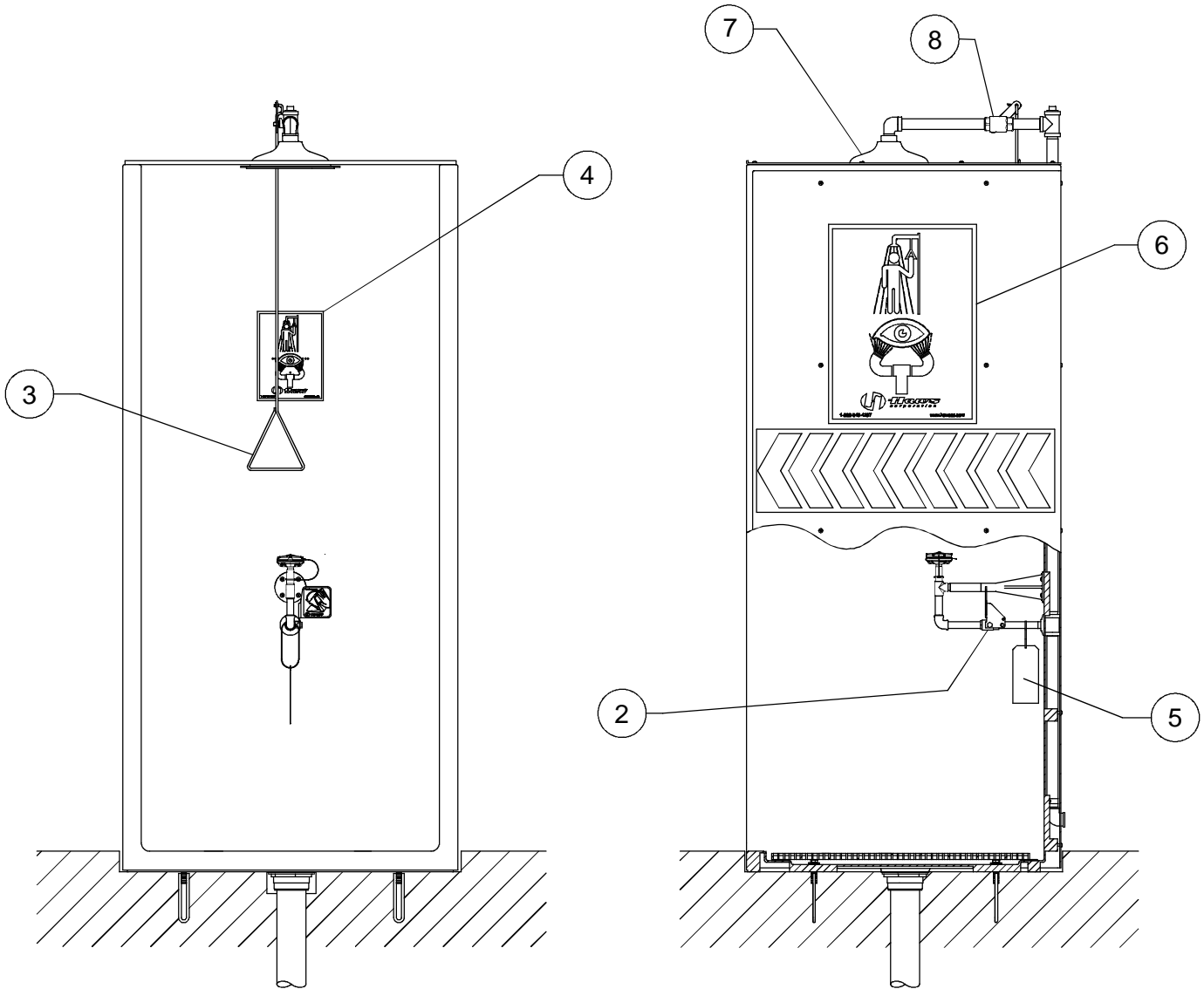


# PARTS BREAKDOWN

| ITEM | DESCRIPTION            | PART NO. |
|------|------------------------|----------|
| 1    | EYE/FACE WASH ASSEMBLY | SP65     |
| 2    | VALVE ASSEMBLY         | SP229    |
| 3    | PULL ROD               | SP202    |
| 4    | SHOWER/EYEWASH SIGN    | SP178    |
| 5    | TEST TAG               | SP170    |
| 6    | SHOWER/EYEWASH LABEL   | SP178LG  |
| 7    | SHOWER HEAD            | SP829    |
| 8    | SHOWER VALVE ASSEMBLY  | -        |



|  |                               |   |  |
|--|-------------------------------|---|--|
|  <b>Haws</b> <sup>®</sup> |                               | 1455 KLEPPE LANE<br>SPARKS, NEVADA 89431<br>(775) 359-4712 FAX (775) 359-7424<br>E-MAIL: HAWS@HAWSO.COM<br>WEBSITE: WWW.HAWSO.COM |  |
|  |                               | ECN NO. REVISED PER BY<br>ECN: 5036 HM  | MODEL(S)<br>8605WC<br>EMERGENCY SHOWER |
| DRAWN RTM<br>APPROVED FV   | DATE 8/16/01<br>DATE 12/31/15 | CHKD RVH  | REVISION<br>11                         |
| WHEN ORDERING PARTS PLEASE SPECIFY MODEL NUMBER.   |                               | SCALE: 1:1  | DRAWING TYPE: PARTS BREAKDOWN          |
|  |                               | SIZE: A   | SHEET 1 OF 1                           |