

FEATURES & BENEFITS

BYPASS

Best-in-class cold water bypass flow (65% of rated tempered water flow) means continued protection even if hot water flow is interrupted.

COLD SHUT OFF PROTECTION

In the event that the cold water supply is interrupted or shut off, this thermostatic mixing valve reduces scalding potential by automatically reducing the hot water flow below the ASSE 1071 standard maximum of 1.0 GPM @ 30 PSID.

PRESSURE DROP

Lowest internal pressure drop for this valve class – essential where supply pressure is low.

TEMPERATURE MANAGEMENT

Paraffin-based thermal actuation technology keeps outlet temperature within tight specifications to prevent scalding and hypothermia.

SHUTTLE DESIGN

Superior shuttle design combined with premium material selection eliminates valve binding and reduces maintenance costs.

MIXING CHAMBER

Innovative funnel design generates turbulent flow to ensure consistent temperature blending across entire flow range.

DEPOSITS RESISTANT

Lime and calcium resistant materials used throughout prevent valve sticking and provide a long service life.

FLOW RATES

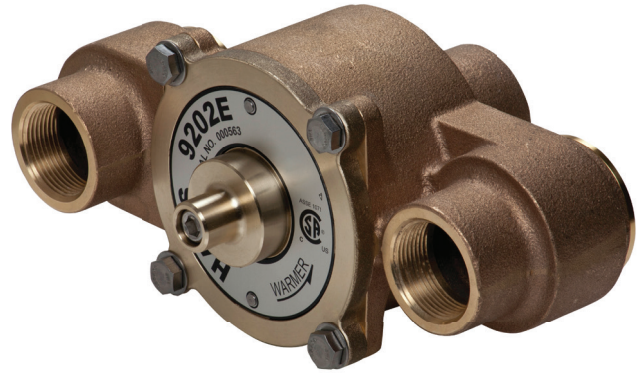
Flow range of 1 to 78 gpm (295 L) provides service for multiple emergency combination showers or multiple eyewashes, reducing complexity and hardware costs.

MEDICALLY SUPERIOR RESPONSE

AXION's superior design and technology provide a complete safety solution for increased victim comfort.

EXTENDED WARRANTY

3-year extended warranty based on superior engineering and best-in-class material selection means reliable protection you can trust for the long term.



SPECIFICATIONS

Model 9202E - Thermostatic Mixing Valve (patent pending)

	MAXIMUM		MINIMUM	
Flow Rate	78 GPM	295 LPM	1 GPM	4 LPM
Hot Inlet Temperature	180° F	82° C	120° F	49° C
Recommended Hot Inlet Temperature	140° F	60° C		
Cold Inlet Temperature	70° F	21° C	40° F	4° C
Adjustable Outlet Temperature Range	90° F	32° C	60° F	16° C
Operating Pressure	125 PSI	8.6 BAR		
Factory Temperature Set Point	85° F	29° C		
Cold Water Bypass	50 GPM	189 LPM @ 30 PSI		

Inlet Ports: 1-1/4" NPT(f) Outlet Port: 1-1/4" NPT(F)

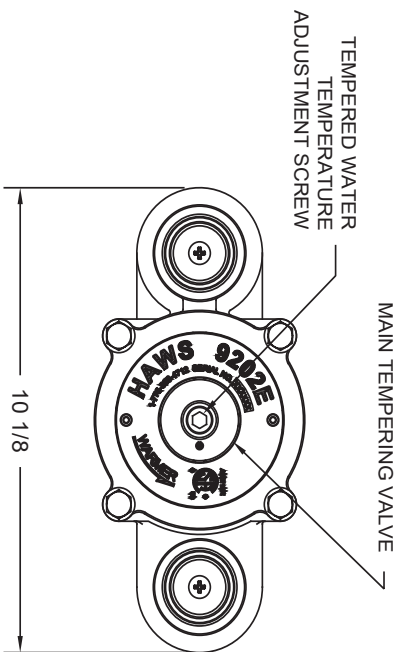
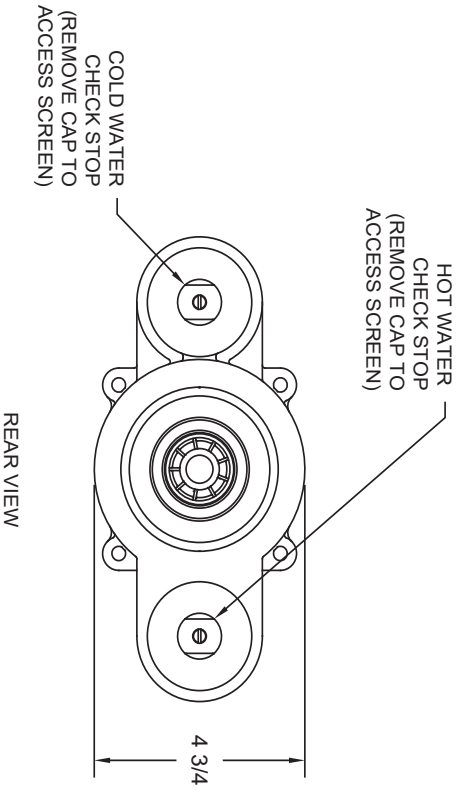
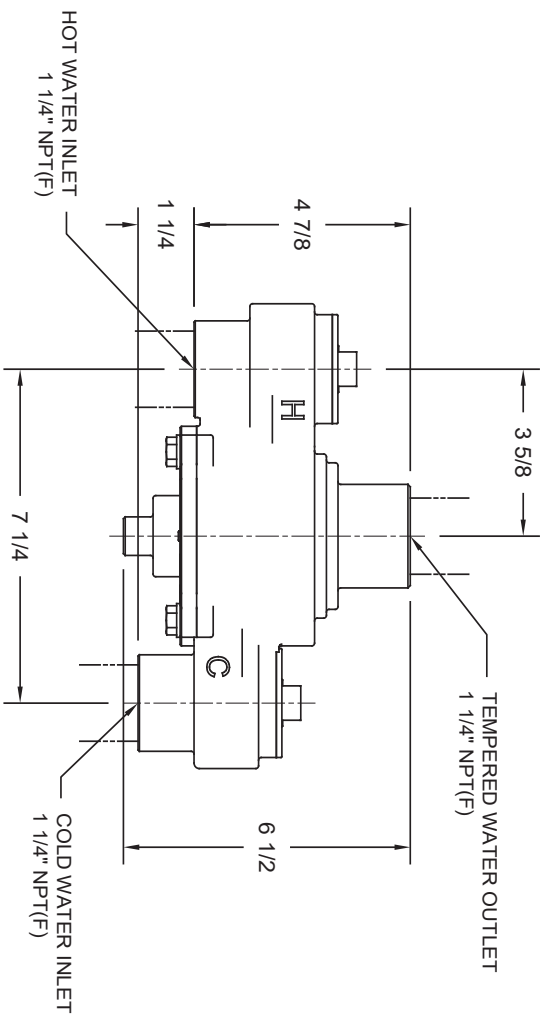
Maximum Inlet Pressure Differential: +/- 10%

Listings: CSA certified per ASSE 1071, ANSI Z358.1, and applicable sections of CSA B125.3.

FLOW CAPACITIES

MODEL	INLET	OUTLET	MINIMUM FLOW	INTERNAL COLD WATER BY-PASS AT 30PSI DROP	PRESSURE DROP								
					5	10	15	20	30	45	60	PSI	
9202E	1-1/4"	1-1/4"			.345	.689	1.03	1.38	2.07	3.10	4.13	BAR	
					1	50	32	45	55	64	78	95	110
			4	299	121	170	280	242	295	360	416	L/MIN	

THIS DOCUMENT IS TRUE AND CORRECT AT TIME OF PUBLICATION. CONTINUED PRODUCT IMPROVEMENTS MAKE SPECIFICATIONS AND MEASUREMENTS SUBJECT TO CHANGE WITHOUT NOTICE.



1455 KLEPPE LANE
 SPARKS, NEVADA 89431
 (775) 359-4712 FAX (775) 359-7424
 E-MAIL: HAWS@HAWSCO.COM
 WEBSITE: WWW.HAWSCO.COM

ECN NO. 4304	REVISED PERBY: FV	MODEL(S)	9202E
DRAWN: VWS	DATE: 9-2-10	CHK'D: DP	
APPROVED: NE	DATE: 9/2/10	SCALE: 1:4	DRAWING TYPE: INSTALLATION
		SIZE: A	SHEET 1 OF 1
			REVISION: 6
			PART NUMBER: 0002080231 D