

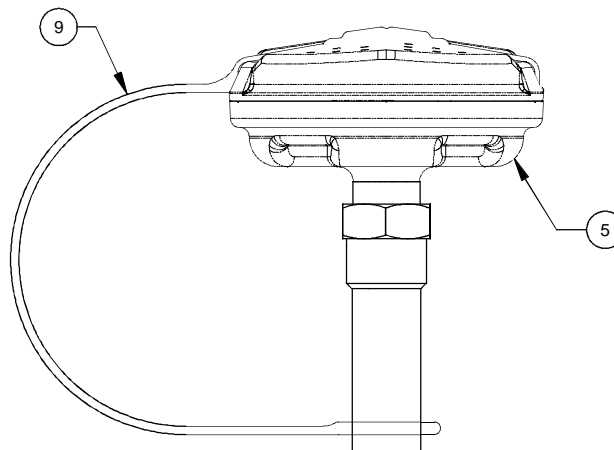
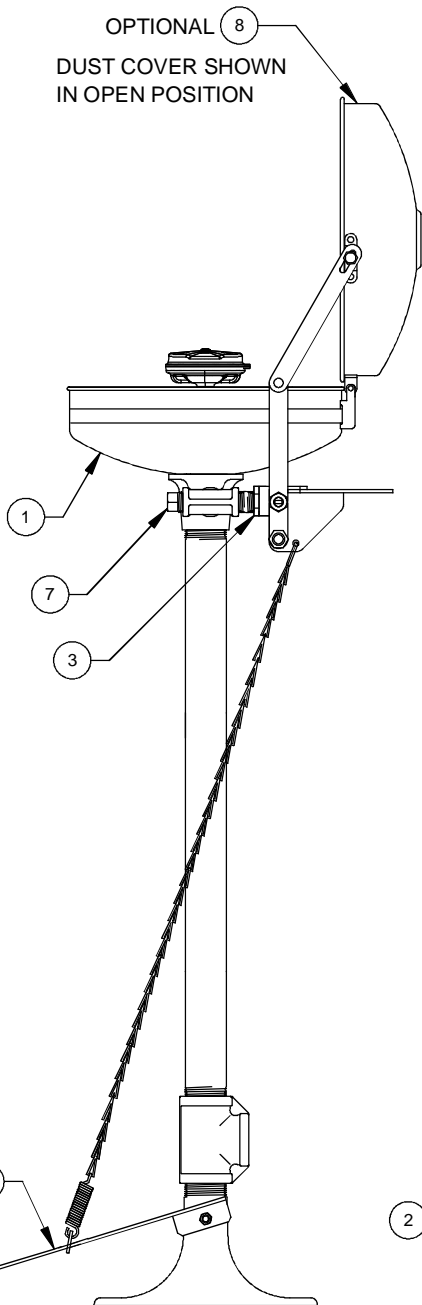
PARTS BREAKDOWN

ITEM	DESCRIPTION	PART NO.
1	BOWL	SP90
2	SP175 EYEWASH SIGN	SP175
3	SP232 VALVE ASSEMBLY	SP232
4	SP220SS FOOT TREADLE	SP220SS
5	SP65SS EYE/FACE WASH	SP65SS
6	SP170 TEST TAG	SP170
7	SP509SS L-STRAINER	SP509SS
8	9102 DUST COVER ASSEMBLY	9102
9	E/F WASH DUST COVER	9091
--	VRKEWSTR.STR, REPAIR KIT	--

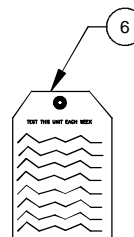
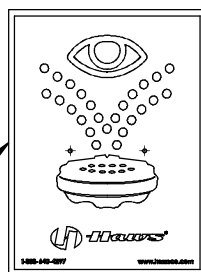
OPTIONAL

OPTIONAL

OPTIONAL 8
DUST COVER SHOWN
IN OPEN POSITION



SP65SS EYE/FACE WASH ASSEMBLY



OPTIONAL 4

2

6

WHEN ORDERING PARTS PLEASE SPECIFY MODEL NUMBER.

 Haws [®]		1455 KLEPPE LANE SPARKS, NEVADA 89431 (775) 359-4712 FAX (775) 359-7424 E-MAIL: HAWS@HAWSCO.COM WEBSITE: WWW.HAWSCO.COM	
		ECN NO. 5133 REVISED PER CJC DATE 03/04/96 CHKD VWC	MODEL(S) 7777 SS PED EYE/FACE WASH
DRAWN CLF APPROVED FV	DATE 09/01/16	SCALE: 1/4 DRAWING TYPE: PARTS BREAKDOWN	REVISION 15 SIZE: A SHEET 1 OF 1