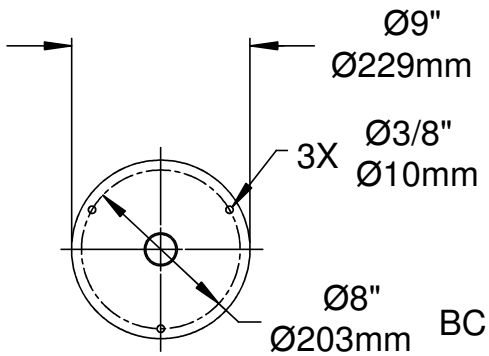


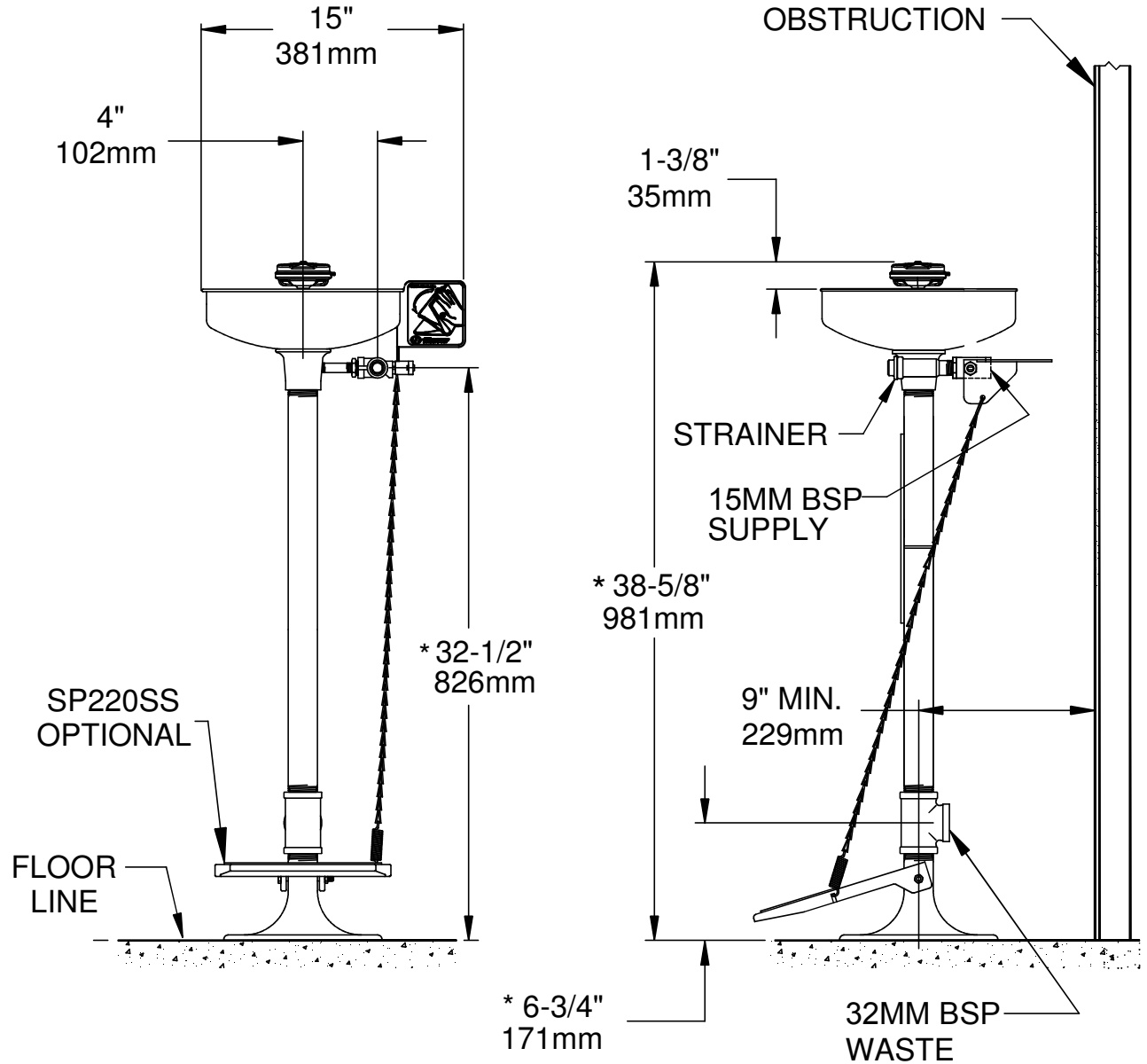
NOTES:

1. TO COMPLY WITH ANSI Z358.1-2009 FOR EMERGENCY EYEWASH OR EYE/FACE WASH AND SHOWER EQUIPMENT:
 - UNIT SHALL BE INSTALLED IN ACCORDANCE WITH MANUFACTURER'S INSTRUCTIONS AND ACCEPTABLE PLUMBING PRACTICES.
 - EYEWASH OR EYE/FACE WASH SHALL BE POSITIONED WITH NOZZLES NOT LESS THAN 83.8 CM (33 IN.) AND NO GREATER THAN 114.3 CM (45 IN.) FROM SURFACE ON WHICH USER STANDS AND 15.3 CM (6 IN.) MINIMUM FROM WALL OR NEAREST OBSTRUCTION.
2. *DIMENSIONS MAY VARY ±1/2" [12.7mm].
3. CENTERLINE WASTE PLACED 9"[229mm] MIN. FROM OBSTRUCTION.

**UNIT COMPOSED OF STAINLESS STEEL PIPING, FITTINGS AND VALVE
DUST COVER IS ABS PLASTIC**



MOUNTING DETAIL



| | | | |
|-------------|---------------|---|--------------------------|
| | | 1455 KLEPPE LANE SPARKS, NEVADA 89431 (775) 359-4712 FAX (775) 359-7424 E-MAIL: HAWS@HAWS.CO.COM WEBSITE: WWW.HAWS.CO.COM | |
| | | ECN NO. REVISED PER BY: HM ECN: -- | MODEL(S) 7777 CF 1021 |
| DRAWN: SLS | DATE: 8/23/16 | CHKD.: | DRAWING NO.: -- |
| APPROVED: | DATE: | SS PED MTD EYEWASH ABS DUST COVER | REV: 1 |
| SCALE: 1/10 | | DRAWING TYPE: INSTALLATION | SIZE: A SHEET 1 OF 1 |