



**INSTALLATION, OPERATION  
&  
MAINTENANCE INSTRUCTIONS**

1455 Kleppe Lane ♦ Sparks, NV 89431-6467 ♦ (775) 359-4712 ♦ Fax (775) 359-7424  
E-mail: [haws@hawsco.com](mailto:haws@hawsco.com) ♦ website: [www.hawsco.com](http://www.hawsco.com)

No. 2080042(11)

**Model 7360B-7460B/7360BT-7460BT  
Eye/Face Wash**

**NOTE TO INSTALLER: Please leave this information with the Maintenance Department.**

**LIMITED WARRANTY**

HAWS warrants that this specific product is guaranteed against defective material or poor workmanship for a period of **one year from date of shipment**. HAWS liability under this warranty shall be discharged by furnishing without charge F.O.B. HAWS Factory any goods, or part thereof, which shall appear to the Company upon inspection to be of defective material or not of first class workmanship, provided that claim is made in writing to Haws within a reasonable period after receipt of the product. Where claims for defects are made, the defective part or parts shall be delivered to the Company, prepaid, for inspection. HAWS will not be liable for the cost of repairs, alterations or replacements, or for any expense connected therewith made by the owner or his agents, except upon written authority from HAWS, Sparks, Nevada. HAWS will not be liable for any damages caused by defective materials or poor workmanship, except for replacements, as provided above. Buyer agrees that Haws has made no other warranties either expressed or implied in addition to those above stated, except that of title with respect to any of the products or equipment sold hereunder and that HAWS shall not be liable for general, special, or consequential damages claimed to arise under the contract of sale.

The emergency equipment manufactured by HAWS is warranted to function if installation and maintenance instructions provided are adhered to. The units also must be used for the purpose for which they were intended. This product is intended to supplement first-aid treatment. Due to widely varying conditions, Haws cannot guarantee that the use of this emergency equipment will prevent serious injury or the aggravation of existing or prior injuries.

**NO OTHER WARRANTIES EXPRESSED OR IMPLIED ARE AUTHORIZED, PROVIDED OR GIVEN BY HAWS.**

**SHOULD YOU EXPERIENCE DIFFICULTY WITH THE INSTALLATION OF THIS MODEL PLEASE CALL:**

**All Valve Industries Pty Ltd  
Phone: +61 2 8543 9811  
Web: [www.allvalve.com.au](http://www.allvalve.com.au)**

**LOCATION OF UNIT:** The Model 7360B/7360BT/7460B/7460BT Emergency Eyewash units should be installed in close proximity to potential accident areas. They should be clearly identified free from obstructions and easy to access.

**SUPPLY LINE:** The minimum recommended line size is 15mm BSP with 210-600kPa pressure. Where sediment or mineral content is a problem, an inlet filter is recommended.

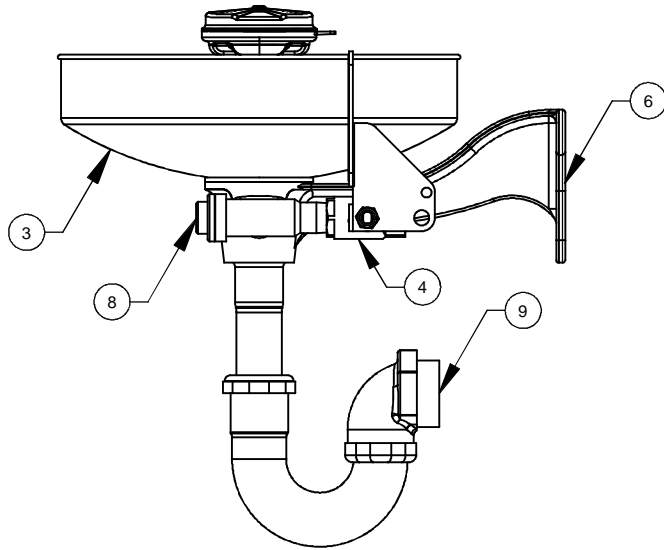
**PLUMBING CONNECTIONS:** Inlet supply is female 15mm BSP. Waste outlet is 40mm BSP.

<b>TROUBLESHOOTING</b>	
<b>PROBLEM</b>	<b>REPAIR CHECKLIST</b>
1. No flow.	1. Check the main shut-off valve.
2. Insufficient water flow.	2. a. Verify minimum 210kPa flowing supply line pressure.  b. Probable clogging of flow control due to inadequate line flushing. Turn water supply off. Unscrew eye/face wash head and remove the four screws to disassemble head. Clean flow control and reassemble head. See SP65 Installation Drawing for details.  c. Remove cap located on L – Strainer using a 3/8" allen wrench to access and clean filter screen.
3. Eyewash or facewash streams do not meet desired eye level or are not balanced.	3. Possible blocked flow control, see above solution. Possible non-leveled eyewash assembly.
4. Water does not drain properly.	4. Check the main waste line of your building to see if it does handle the capacity required for the entire drainage system.

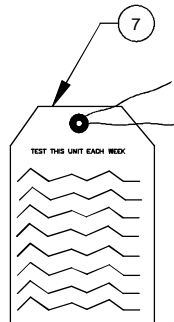
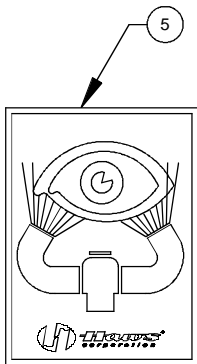
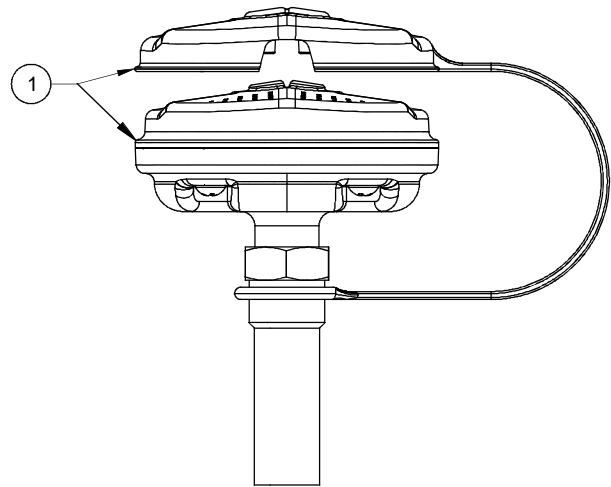
For more information about Haws products, see our website: [www.hawesco.com](http://www.hawesco.com)

ITEM	DESCRIPTION	PART NO.
1	EYE/FACE WASH ASSY	SP65
2	-	-
3	BOWL	SP90
4	VALVE ASSEMBLY	SP229
5	EYEWASH SIGN	SP175
6	BRACKET	SP80
7	TEST TAG	SP170
8	L-STRAINER	SP509
9	TAILPIECE & TRAP	SP95
--	STR. REPAIR KIT	VRKEWSTR
--	EYEWASH ASSEMBLY	SP69FC

# PARTS BREAKDOWN



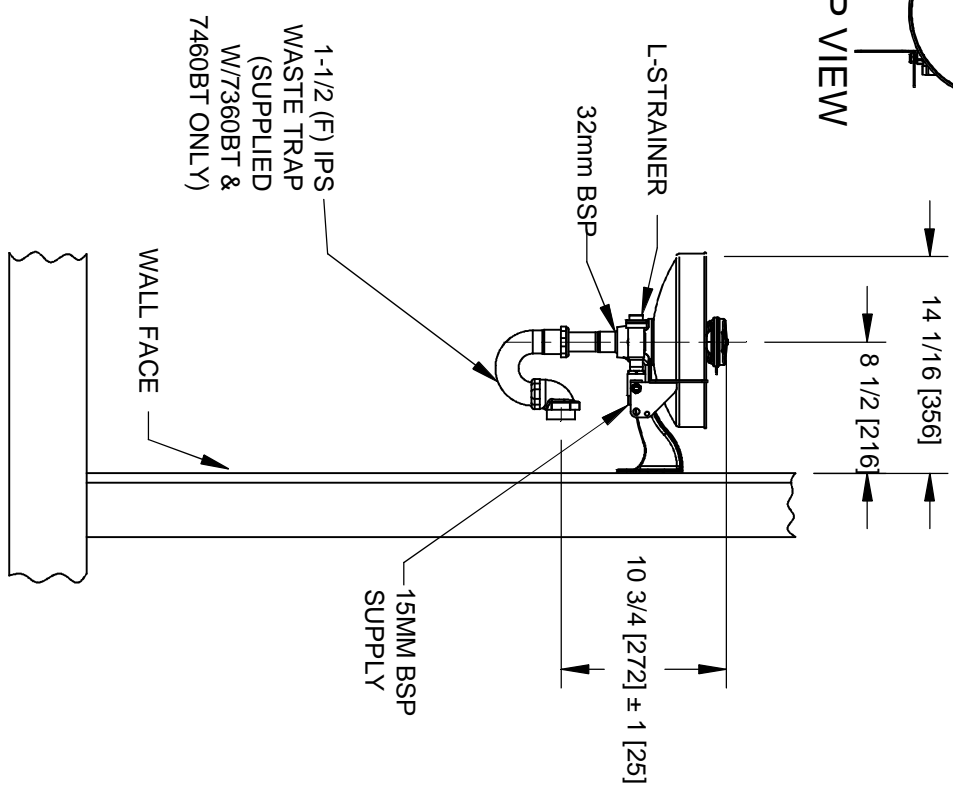
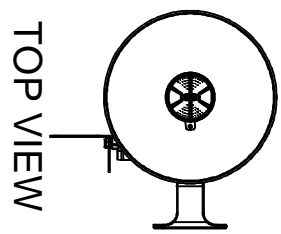
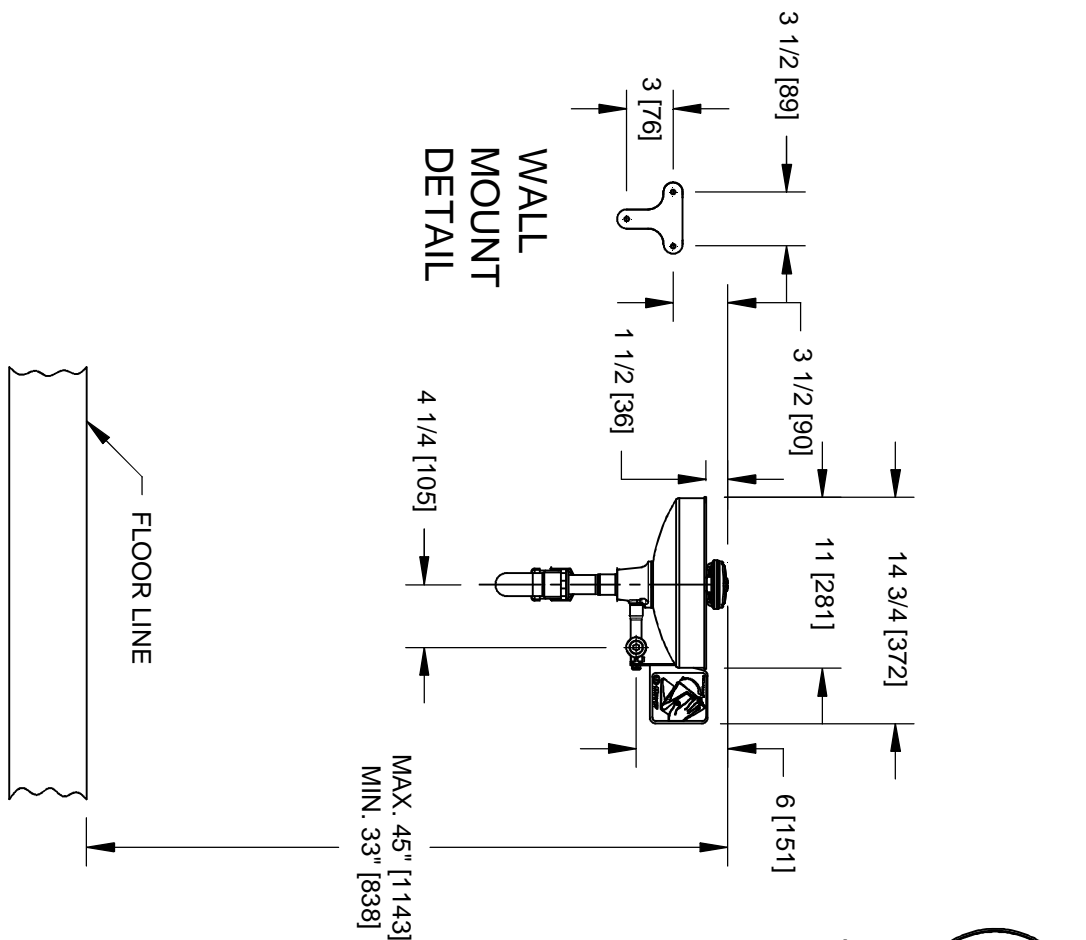
NOTE: SP95 TAILPIECE & TRAP INCLUDED W/MODEL 7360BT & 7460BT ONLY



**SP65 EYE/FACE WASH ASSEMBLY**  
 (INCLUDES: EYE/FACE WASH HEAD (**SHOWN**))  
 EYEWASH HEAD (**NOT SHOWN**), EYEWASH FLOW  
 CONTROL (**NOT SHOWN**), DUST COVER (**SHOWN**))

		1455 KLEPPE LANE SPARKS, NEVADA 89431 (775) 359-4712 FAX (775) 359-7424 E-MAIL: HAWS@HAWS.CO.COM WEBSITE: WWW.HAWS.CO.COM	
ECN NO.	REVISED PER	BY	MODEL(S)
4910	DATE	HM	7360B-7460B/7360BT-7460BT
CLF	2/23/93	CHKD	PART NUMBER
APPROVED	DATE		0002080042
			DRAWING NO. REV
			11449C00 11
SCALE: 1:1		DRAWING TYPE: PARTS BREAKDOWN	
		SIZE: A SHEET 1 OF 1	

WHEN ORDERING PARTS PLEASE SPECIFY MODEL NUMBER.



NOTES:

1. METRIC DIMENSIONS ARE IN BRACKETS [X]
2. TO COMPLY WITH ANSI Z358.1-2009 FOR EMERGENCY EYEWASH OR EYEFACE WASH:
  - UNIT SHALL BE INSTALLED IN ACCORDANCE WITH MANUFACTURER'S INSTRUCTIONS AND ACCEPTABLE PLUMBING PRACTICES.
  - EYEWASH OR EYEFACE WASH SHALL BE POSITIONED WITH NOZZLES NOT LESS THAN 83.8 CM (33 IN.) AND NO GREATER THAN 114.3 CM (45 IN.) FROM SURFACE ON WHICH USER STANDS AND 15.3 CM (6 IN.) MINIMUM FROM WALL OR NEAREST OBSTRUCTION.
3. DIMENSIONS MAY VARY BY ± 1/2 [13]

		REVISIONS ECN NO. 4110    ECN 4910 DATE: 4/28/08 CHKD:		MODEL(S) 7360B-7460B/7360BT-7460BT	
		REVISIONS ECN NO. 4110    ECN 4910 DATE: 4/28/08 CHKD:		PART NUMBER 0002080042D DRAWING NO. 08808A00_11	
1455 KLEPPLE LANE SPARKS, NEVADA, 89431 (775) 359-4772 FAX (775) 359-7424 E-MAIL: HAWS@HAWS.CO.COM WEBSITE: WWW.HAWS.CO.COM		SCALE: 1:1    DRAWING TYPE: INSTALLATION		SIZE: A    SHEET: 1 OF 1	