

FEATURES & BENEFITS

QUALITY CONTROL

Eye/face wash and valve assembly is pre-built and fully water/pressure tested to ensure no leaks and proper function which ultimately reduces installation time and gives the installing contractor added peace of mind. Unit also ships with pre-assembled cast-aluminium wall bracket to assist in the installation process.

BOWL

The 27.9 cm (11") round green ABS plastic bowl is corrosion resistant.

STRAINERS/FILTERS

Chrome-plated brass in-line strainer with 50 x 50 mesh prevents debris from reaching the eyewash so the unit stays functioning at its best. Strainer is easily serviceable.

EYE/FACE WASH

AXION[®] MSR eye/face wash head (patent pending) uses an inverted directional laminar flow to sweep contaminants away from the vulnerable nasal cavity.



SPECIFICATIONS

Model 7260B-7270B wall mounted eye/face wash shall include a green ABS plastic 27.9 cm (11") bowl, an AXION[®] MSR eye/face wash head shall feature inverted directional laminar flow which achieves Zero Vertical Velocity[™] supplied by an integral flow control, chrome-plated brass stay-open ball valve equipped with stainless steel ball and stem, and chrome-plated brass in-line 50 x 50 mesh strainer. Unit shall also include cast-aluminium chromed wall bracket, yellow plastic pop-off dust cover for eyewash head, emergency safety sign, 15mm (1/2") BSP inlet, and 32mm waste.

OPTIONS

- Test Tag: SP170 is a green waterproof test card with space for date and initials of inspector. Used to record weekly testing of emergency equipment.

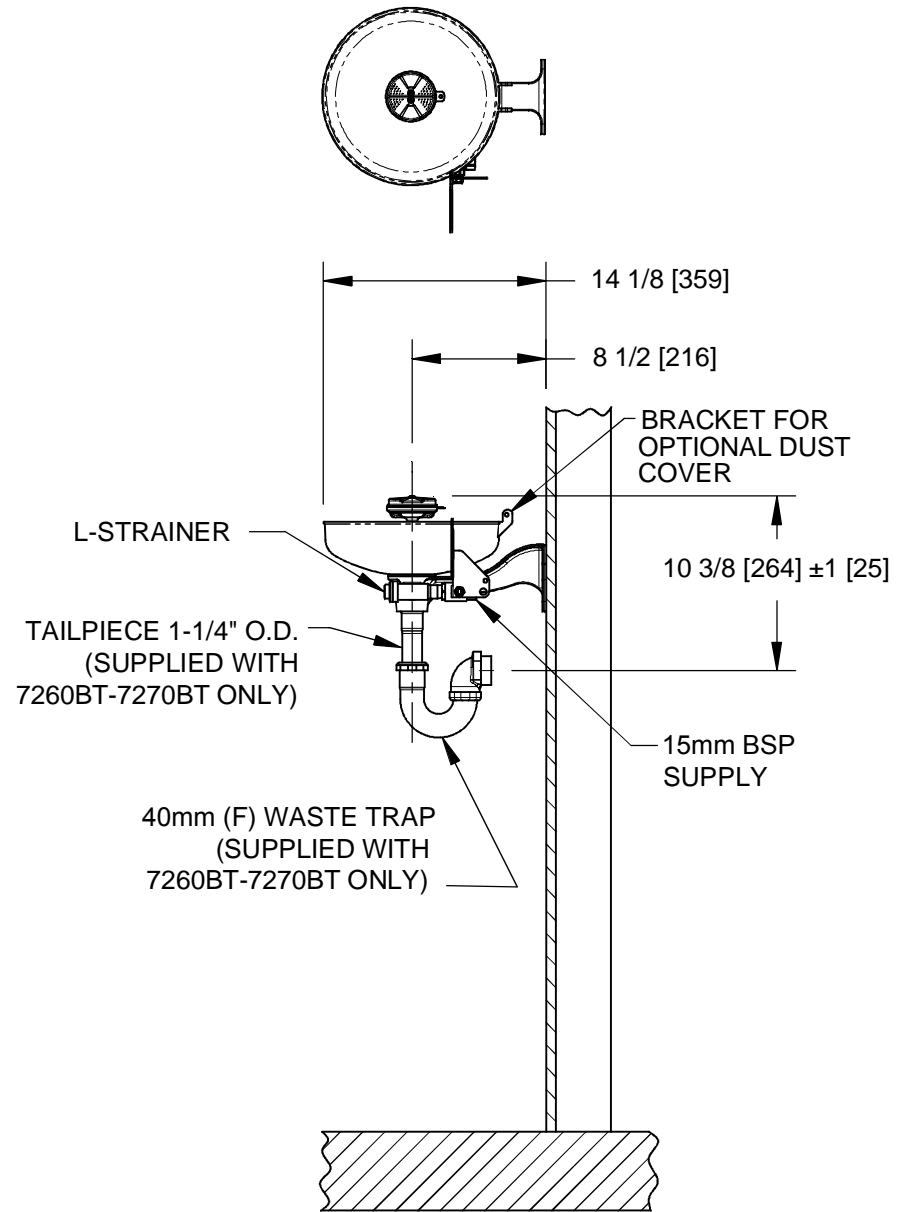
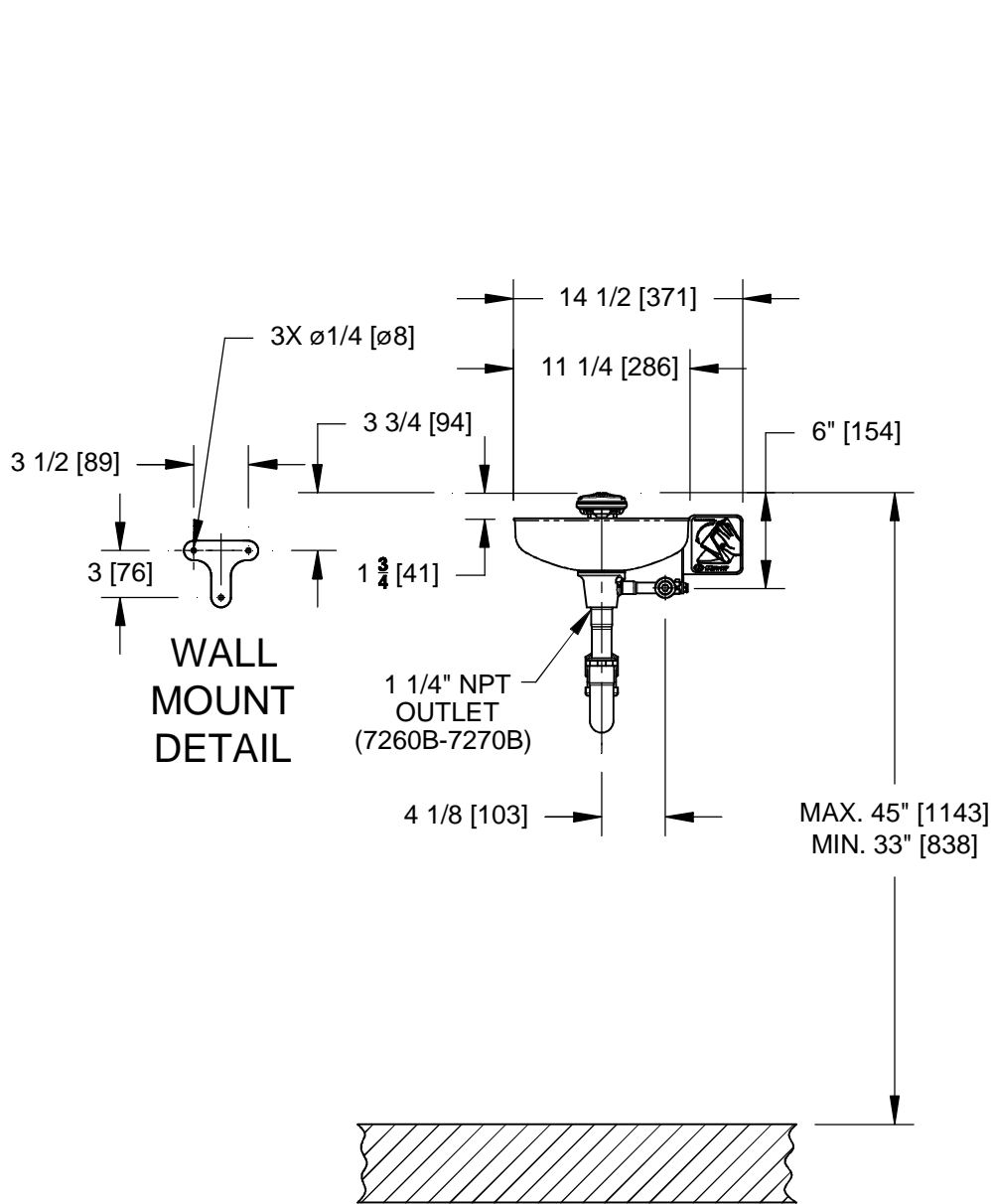
Heated Water Solutions: A range of heater water solutions are available from All Valve Industries inclusive of

- Thermostatic Mixing Valves and Tankless Water Heaters. Please contact All Valve for more information on these technical solutions.

For more information, visit www.allvalve.com.au or call +61 2 8543 9811

APPLICATIONS

Where the eyes of any person may be exposed to injurious or corrosive materials, suitable facilities for quick flushing and cleansing of the eyes must be provided within the work area for immediate emergency use. Emergency eyewash facilities shall be in unobstructed and accessible locations that require no more than 10 seconds for the injured person to reach. Model 7260B-7270B is certified by CSA to meet the ANSI Z358.1 and by IAPMO Oceana to AS4775.



NOTES:

1. METRIC DIMENSIONS ARE IN BRACKETS [X].
2. TO COMPLY WITH ANSI Z358.1-2009 FOR EMERGENCY EYEWASH OR EYE/FACE WASH:
 - UNIT SHALL BE INSTALLED IN ACCORDANCE WITH MANUFACTURER'S INSTRUCTIONS AND ACCEPTABLE PLUMBING PRACTICES.
 - EYEWASH OR EYE/FACE WASH SHALL BE POSITIONED WITH NOZZLES NOT LESS THEN 83.8 CM (33 IN.) AND NO GREATER THAN 114.3 CM (45 IN.) FROM SURFACE ON WHICH USER STANDS AND 15.3 CM (6 IN.) MINIMUM FROM WALL OR NEAREST OBSTRUCTION.
3. DIMENSIONS MAY VARY BY ± 1/2 [13].

			1455 KLEPPE LANE SPARKS, NEVADA 89431 (775) 359-4712 FAX (775) 359-7424 E-MAIL: HAWS@HAWSCO.COM WEBSITE: WWW.HAWSCO.COM		
			ECN NO. 4161 DRAWN: SLS APPROVED: FV	REVISED PER: ECN: 5045 DATE: 5/1/08 DATE: 02/11/16	BY: HM CHK'D: RVH
SCALE: 1:1			DRAWING TYPE: INSTALLATION		SIZE: A SHEET 1 OF 1