



INSTALLATION, OPERATION & MAINTENANCE INSTRUCTIONS

1455 Kleppe Lane ♦ Sparks, NV 89431-6467 ♦ (775) 359-4712 ♦ Fax (775) 359-7424
E-mail: haws@hawsco.com ♦ website: www.hawsco.com

No. 2080038(18)

Model 7260B-7270B/7260BT-7270BT Eye/Face Wash

NOTE TO INSTALLER: Please leave this information with the Maintenance Department.

LIMITED WARRANTY

HAWS warrants that this specific product is guaranteed against defective material or poor workmanship for a period of **one year from date of shipment**. HAWS liability under this warranty shall be discharged by furnishing without charge F.O.B. HAWS Factory any goods, or part thereof, which shall appear to the Company upon inspection to be of defective material or not of first class workmanship, provided that claim is made in writing to Haws within a reasonable period after receipt of the product. Where claims for defects are made, the defective part or parts shall be delivered to the Company, prepaid, for inspection. HAWS will not be liable for the cost of repairs, alterations or replacements, or for any expense connected therewith made by the owner or his agents, except upon written authority from HAWS, Sparks, Nevada. HAWS will not be liable for any damages caused by defective materials or poor workmanship, except for replacements, as provided above. Buyer agrees that Haws has made no other warranties either expressed or implied in addition to those above stated, except that of title with respect to any of the products or equipment sold hereunder and that HAWS shall not be liable for general, special, or consequential damages claimed to arise under the contract of sale.

The emergency equipment manufactured by HAWS is warranted to function if installation and maintenance instructions provided are adhered to. The units also must be used for the purpose for which they were intended. This product is intended to supplement first-aid treatment. Due to widely varying conditions, Haws cannot guarantee that the use of this emergency equipment will prevent serious injury or the aggravation of existing or prior injuries.

NO OTHER WARRANTIES EXPRESSED OR IMPLIED ARE AUTHORIZED, PROVIDED OR GIVEN BY HAWS.

SHOULD YOU EXPERIENCE DIFFICULTY WITH THE INSTALLATION OF THIS MODEL PLEASE CALL:

**All Valve Industries Pty Ltd
Phone: +61 2 8543 9811
Web: www.allvalve.com.au**

LOCATION OF UNIT: The Model 7260B-7270B/7260BT-7270BT Eyewash units should be installed in close proximity to potential accident areas. It should be clearly identified, free from obstructions and easy to access.

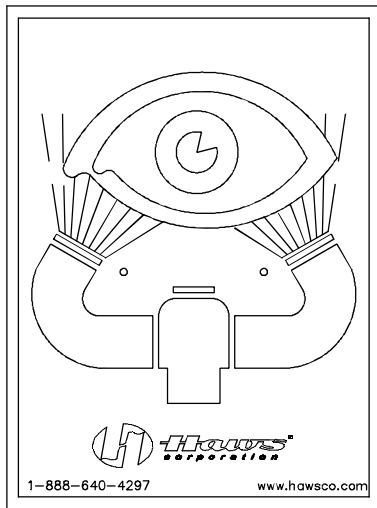
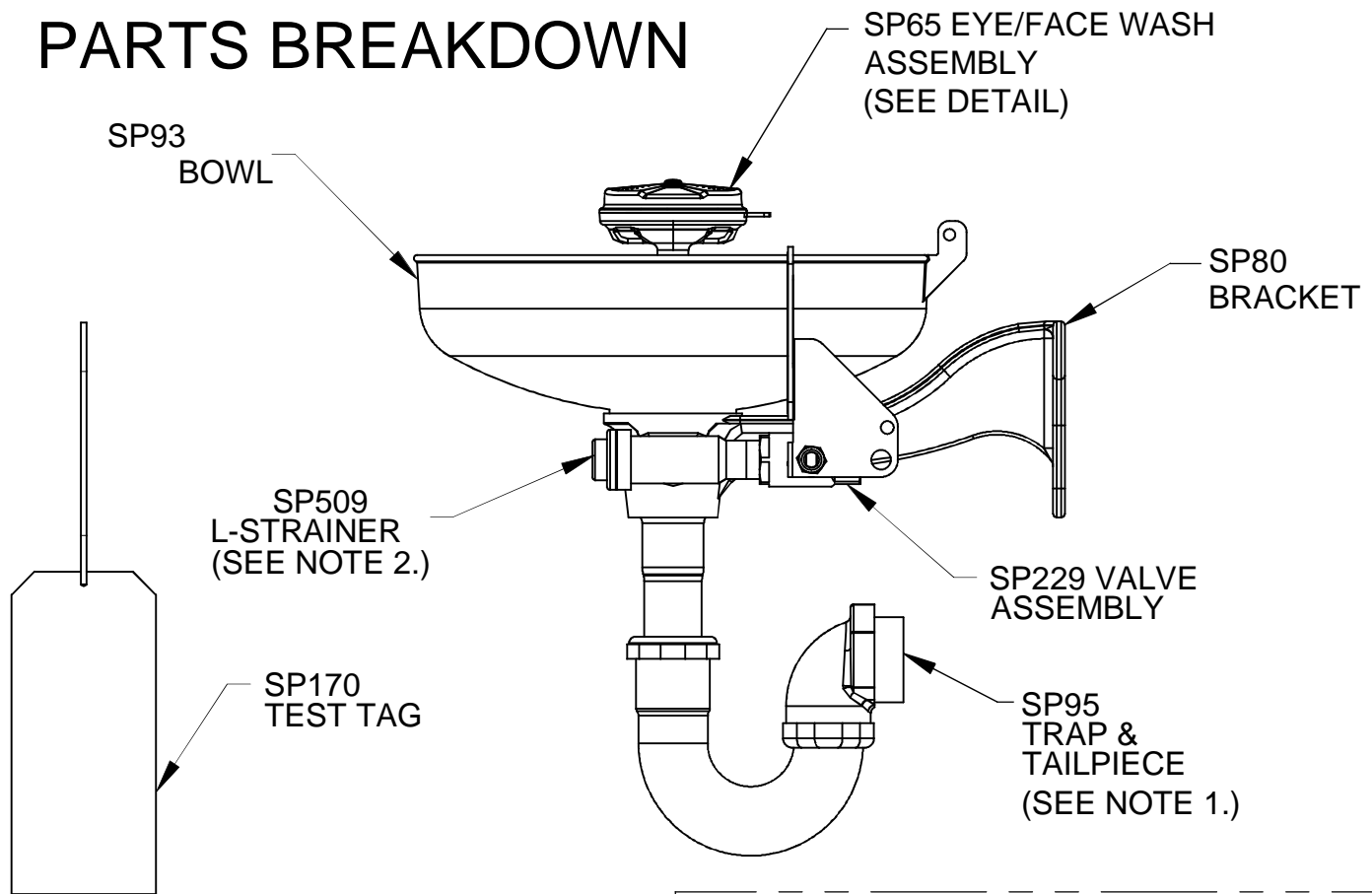
SUPPLY LINE: The minimum recommended line size is 15mm with 210-600kPa flowing pressure. Where sediment or mineral content is a problem, an inlet filter is recommended.

PLUMBING CONNECTIONS: For Model 7260B-7270B/7260BT-7270BT, the inlet supply is female 15mm BSP. For Model 7260B-7270B, the waste outlet is 32mm BSP. For Model 7260BT-7270BT, the waste outlet is 40mm BSP.

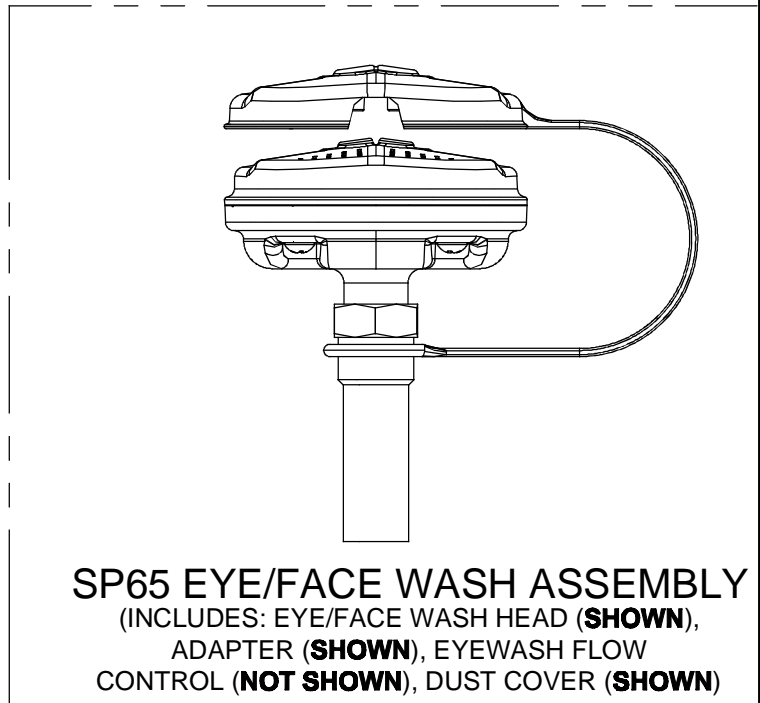
TROUBLESHOOTING	
PROBLEM	REPAIR CHECKLIST
1. No flow.	1. Check the main shut-off valve.
2. Insufficient water flow.	2. a. Verify minimum 210kPa flowing supply line pressure. b. Probable clogging of flow control due to inadequate line flushing. Unscrew eye/face wash head and remove the four screws to disassemble the head. Clean flow control and reassemble head. See SP65 Installation Drawing for details. c. Remove cap located on L – Strainer using a 3/8" allen wrench to access and clean filter screen.
3. Eyewash or face wash streams do not meet desired eye level or are not balanced.	3. Possible blocked flow control, see above solution. Possible non-leveled eyewash assembly.
4. Water does not drain properly.	4. Check the main waste line of your building to see if it does handle the capacity required for the entire drainage system.

For more information about Haws products, see our website: www.hawesco.com

PARTS BREAKDOWN



SP175
EYEWASH
SIGN

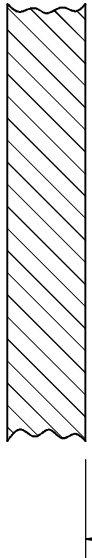
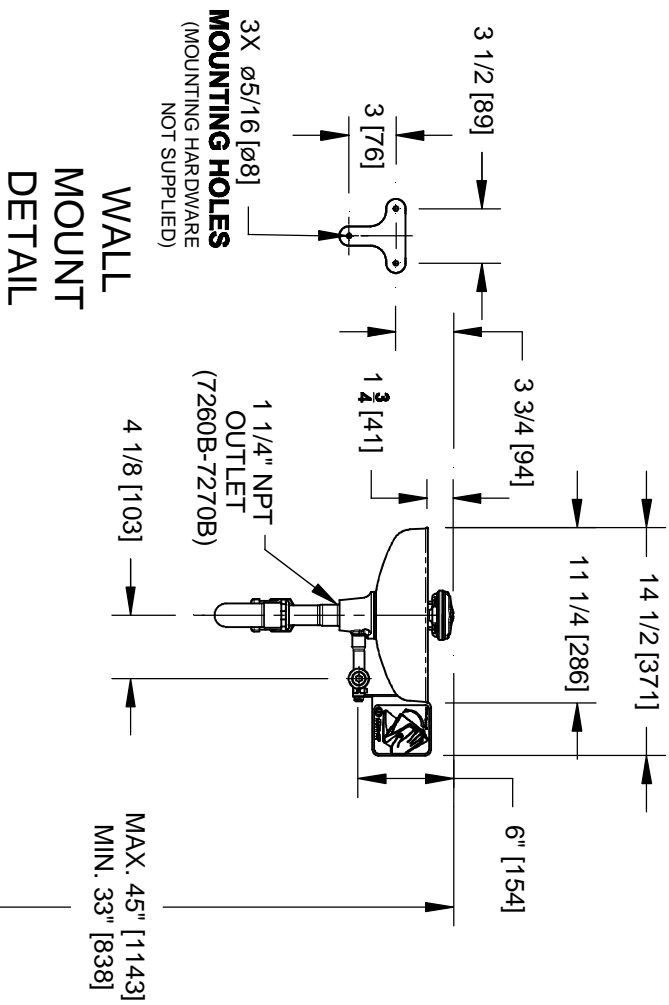


NOTE:

1. TRAP & TAILPIECE SUPPLIED WITH MODEL 7260BT & 7270BT ONLY.
2. STRAINER REPAIR KIT MODEL VRKEWSTR IS AVAILABLE.

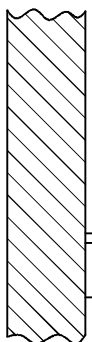
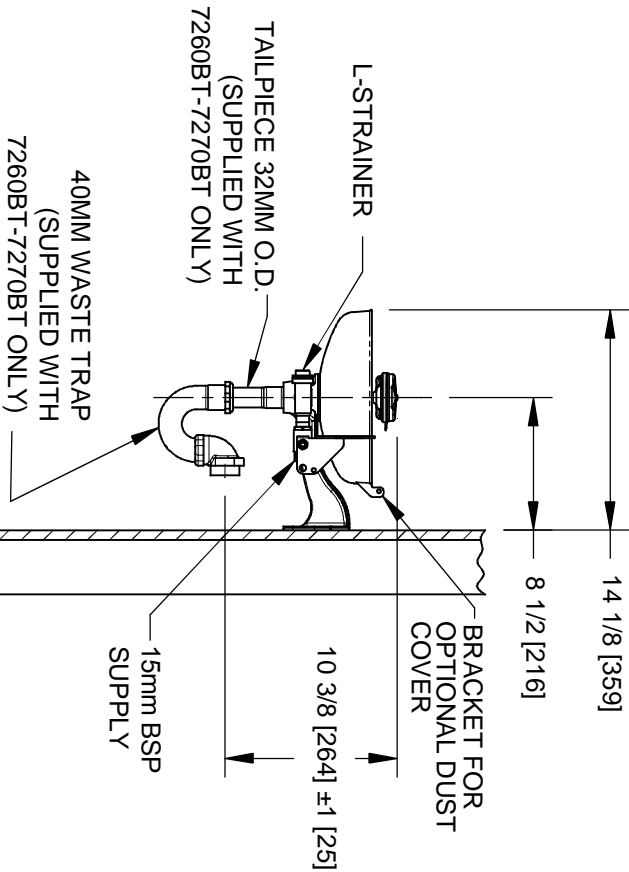
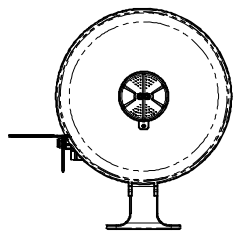
WHEN ORDERING PARTS PLEASE SPECIFY MODEL NUMBER.

		Haws [®]		1455 KLEPPE LANE SPARKS, NEVADA 89431 (775) 359-4712 FAX (775) 359-7424 E-MAIL: HAWS@HAWSCO.COM WEBSITE: WWW.HAWSCO.COM	
				ECN NO: ECN: 5113	REVISOR: VWC
DRAWN: RTM	DATE: 7/17/02	CHKD: VWC	REVISION 18		
APPROVED: FV	DATE: 08/01/16	SCALE: 1:1	DRAWING TYPE: PARTS BREAKDOWN	SIZE: A	SHEET 1 OF 1



NOTES:

1. METRIC DIMENSIONS ARE IN BRACKETS [X].
2. TO COMPLY WITH ANSI Z38.4-2009 FOR EMERGENCY EYEWASH OR EYEFACE WASH:
 - UNIT SHALL BE INSTALLED IN ACCORDANCE WITH MANUFACTURERS' INSTRUCTIONS AND ACCEPTABLE PLUMBING PRACTICES.
 - EYEWASH OR EYEFACE WASH SHALL BE POSITIONED WITH NOZZLES NOT LESS THAN 83.8 CM (33 IN.) AND NO GREATER THAN 114.3 CM (45 IN.) FROM SURFACE ON WHICH USER STANDS AND 15.3 CM (6 IN.) MINIMUM FROM WALL OR NEAREST OBSTRUCTION.
3. DIMENSIONS MAY VARY BY ± 1/2 [13].



		Haws	
1455 KLEPPLE LANE SPARKS, NEVADA, 89431			
(775) 359-4712 FAX (775) 359-7424			
E-MAIL: HAWS@HAWS.CO.COM			
WEBSITE: WWW.HAWS.CO.COM			
E.C.N. NO. REVISED PER BY:	WVC	MODEL(S)	
4161	ECN: 5113	7260B-7270B/7260BT-7270BT	
DRAWN:	DATE:	CHKD:	
SIS	9/08	WVC	
APPROVED:	DATE:	SCALE:	DRAWING TYPE:
F.V.	08/01/16	1:1	INSTALLATION
PART NUMBER		SIZE:	SHEET 1 OF 1
0002080038.D		A	18
REVISION:			