



Haws[®]

AXION[®]

MSR Emergency Shower and Eye/Face Wash

model 8320-8325

FEATURES & BENEFITS

CONSTRUCTION

32mm Stainless Steel pipework and fittings along with powder-coated cast-iron 22.9 cm (9") diameter floor flange and 27.9cm (11") ABS plastic bowl provide corrosion resistance in a highly durable product.

QUALITY CONTROL

The Eye/face wash and valve assembly are pre-built and fully water/pressure tested to ensure no leaks and proper function which ultimately reduces installation time.

VALVES

Eyewash and shower ball valves are designed to make the flushing of contaminants occur with the simple pull of a lever or push of a stainless steel flag. Both valves come equipped with stainless steel ball and stem to provide greater protection against corrosion and breakage.

STRAINERS/FILTERS

Chrome-plated brass in-line 50 x 50 mesh water strainer prevents debris from reaching the eyewash so the unit stays functioning at its best. Strainer is easily serviceable.

SHOWER HEAD

AXION[®] MSR ABS plastic drench showerhead uses a hydrodynamic design to give equal distribution of water throughout the entire footprint of flow.

EYE/FACE WASH

AXION[®] MSR eye/face wash head (patent pending) uses an inverted directional laminar flow to sweep contaminants away from the vulnerable nasal cavity.



SPECIFICATIONS

Model 8320-8325-1002 combination shower and eye/face wash shall include a green ABS plastic 27.9 cm (11") bowl, an AXION[®] MSR eye/face wash head shall feature inverted directional laminar flow which achieves Zero Vertical Velocity[™] supplied by an integral flow control. Unit shall also include the AXION MSR hydrodynamic designed ABS plastic showerhead with flow control, chrome-plated brass stay-open ball valve equipped with stainless steel ball and stem, and chrome-plated brass in-line 50 x 50 mesh water strainer. Unit shall also include 32mm Stainless Steel pipe and fittings, powder-coated cast-iron 22.9 cm (9") diameter floor flange, yellow plastic pop-off dust cover for eyewash head, self-adhesive high visibility safety green and bright yellow stripes, emergency safety sign, and 32mm BSP supply.

OPTIONS

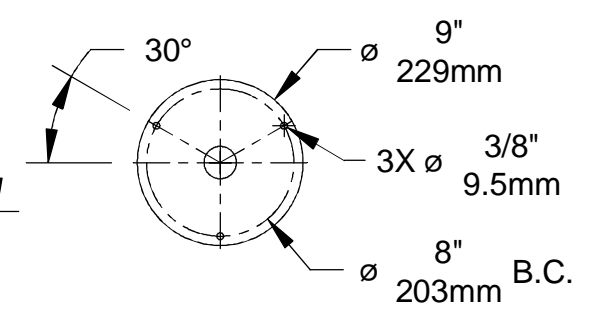
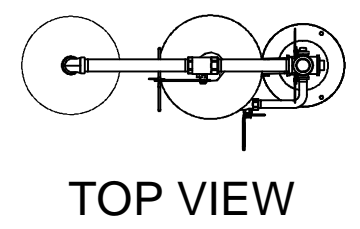
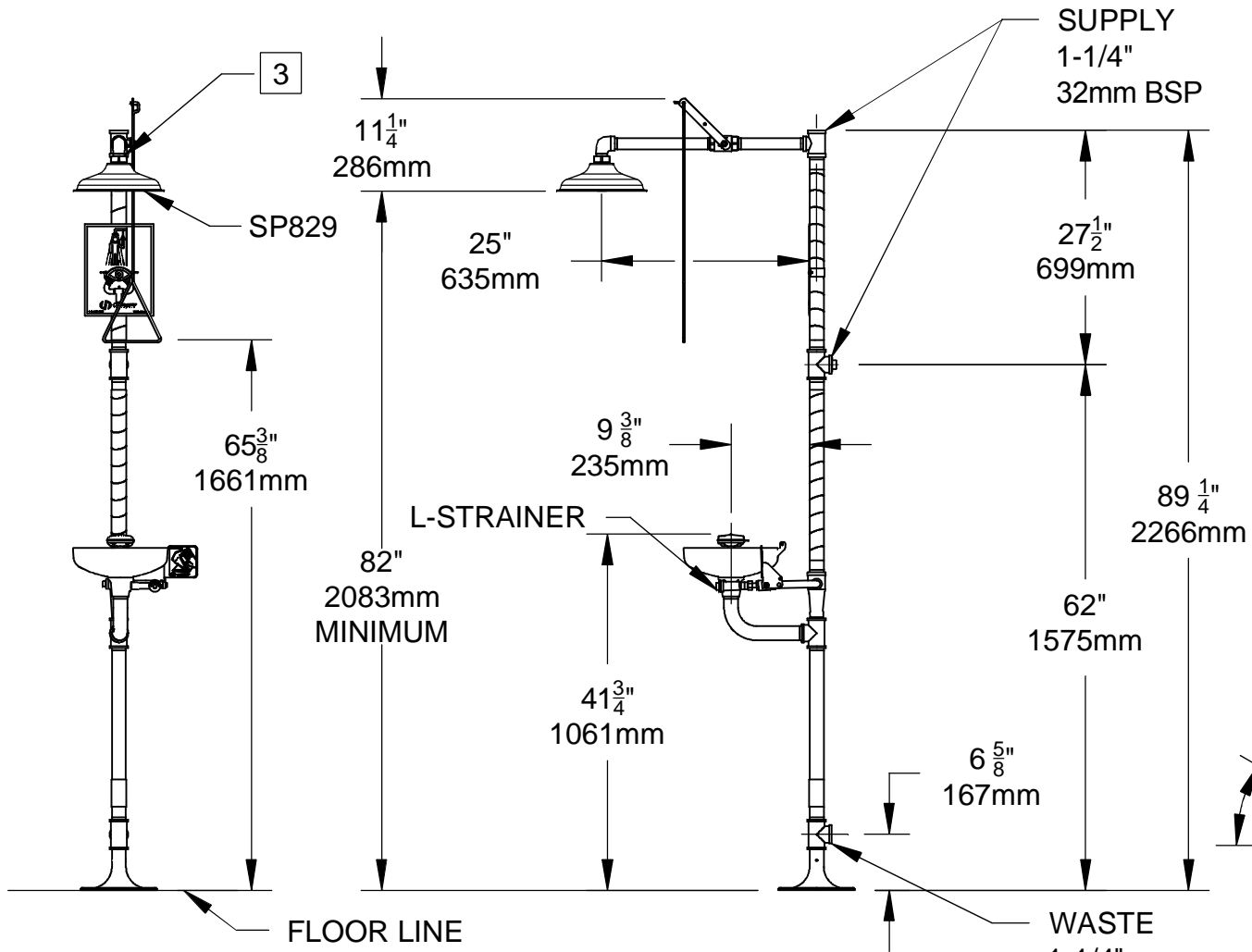
- Test Tag: SP170 is a green waterproof test card with space for date and initials of inspector. Used to record weekly testing of emergency equipment.
- Large Shower/Eyewash Sign: Model AVI-178 large vertical combination emergency shower and eyewash sign. Size: 400mm x 300mm.
- Foot Treadle: Model SP220 foot control assembly, including powder-coated aluminum treadle for hands free activation of eyewash.
- Dust Cover: Model 9102 is a stainless steel cover that protects the eyewash heads as well as the bowl.

For more information, visit www.allvalve.com.au or call +61 2 8543 9811

APPLICATIONS

Where the eyes or body of any person may be exposed to injurious or corrosive materials, suitable facilities for quick drenching or flushing of the eyes and body shall be provided within the work area for immediate emergency use. Emergency eyewash facilities and deluge showers shall be in unobstructed and accessible locations that require no more than 10 seconds for the injured person to reach. Model 8320-8325 is certified by CSA to meet the ANSI Z358.1 and by IAPMO Oceana to AS4775.





NOTES:

1. DIMENSIONS MAY VARY BY ± 1/2 INCH [13mm].
2. TO COMPLY WITH ANSI Z358.1-2009 FOR EMERGENCY EYEWASH OR EYE/FACE WASH AND SHOWER EQUIPMENT:
 - UNIT SHALL BE INSTALLED IN ACCORDANCE WITH MANUFACTURER'S INSTRUCTIONS AND ACCEPTABLE PLUMBING PRACTICES.
 - EYEWASH OR EYE/FACE WASH SHALL BE POSITIONED WITH NOZZLES NOT LESS THAN 83.8 CM (33 IN.) AND NO GREATER THAN 114.3 CM (45 IN.) FROM SURFACE ON WHICH USER STANDS AND 15.3 CM (6 IN.) MINIMUM FROM WALL OR NEAREST OBSTRUCTION.
 - SHOWER SHALL BE POSITIONED SO THAT SHOWER HEAD IS NOT LESS THAN 208.3 CM (82 IN.) NOR MORE THAN 243.8 CM (96 IN.) FROM SURFACE ON WHICH USER STANDS.
 - SHOWER SPRAY PATTERN SHALL HAVE A MINIMUM DIAMETER OF 50.8 CM (20 IN.) AT 152.4 CM (60 IN.) ABOVE SURFACE ON WHICH USER STANDS, AND CENTER OF SPRAY PATTERN SHALL BE LOCATED AT LEAST 40.6 CM (16 IN.) FROM ANY OBSTRUCTION.

3. DO NOT USE REGULAR PIPE SEALANT. IF NECESSARY USE DOW CORNING 832 SEALANT PLACING 5 SMALL BEADS ON THE MALE THREADS, JUST ABOVE THE FIRST THREAD.

		1455 KLEPPE LANE SPARKS, NEVADA 89431 (775) 359-4712 FAX (775) 359-7424 E-MAIL: HAWS@HAWSCO.COM WEBSITE: WWW.HAWSCO.COM	
		ECN NO. REVISED PER BY: MODEL(S) ECN: 4938 VWC: 8320-8325/8320CRP	PART NUMBER 0002080170.D
DRAWN: SLS DATE: 5/1/08	CHECKED: [blank] DATE: [blank]	SCALE: 1:1	DRAWING TYPE: INSTALLATION
APPROVED: FV DATE: 01/08/15	SIZE: A	SHEET 1 OF 1	REV 09460A00 20