



SHOWER & EYEWASH EMERGENCY MIXING SYSTEM



MIXING VALVE SYSTEM FOR EMERGENCY SHOWER AND /OR EYEWASH EQUIPMENT

FEATURES

- TMVs are Watermark approved to AS4032.1 and NSW Health approved.
- Provides tepid warm water at 76 l/min at 210kPa as per AS4775 requirements.
- 15mm valve provides tepid water as low as 2.5l/min if required for use in combination units.
- Union inlets have integrated strainer and check valves.
- Valve will shut off supply upon failure of cold water supply.
- Cold water will bypass the TMV upon failure of hot water supply.
- TMV set temperature can be locked using the locking nut on the adjustment spindle.
- Available in SS 70mm deep recessed enclosure or on a galvanised steel plate.

PRODUCT DETAILS

The emergency mixing valve system incorporates Caleffi thermostatic mixing valves which are Watermark approved to AS4032.1.

This emergency mixing system has been specifically designed to meet the requirements of both AS 4775 - Emergency eyewash and shower equipment, as well as ANSI Z 358.1.

When installed with a certified combination emergency shower to AS4775, the warm water flow rate shall allow for the simultaneous operation of both the Emergency Shower (Min: 75.7 l/pm at 210 Kpa) and Eye Face Wash (Min: 11.4 l/pm). The cold water bypass design allows for cold water only to flow through the assembly in the event of heated water supply failure to the TMV's. This feature has been integrated to ensure the functionality and integrity of the emergency shower is maintained.

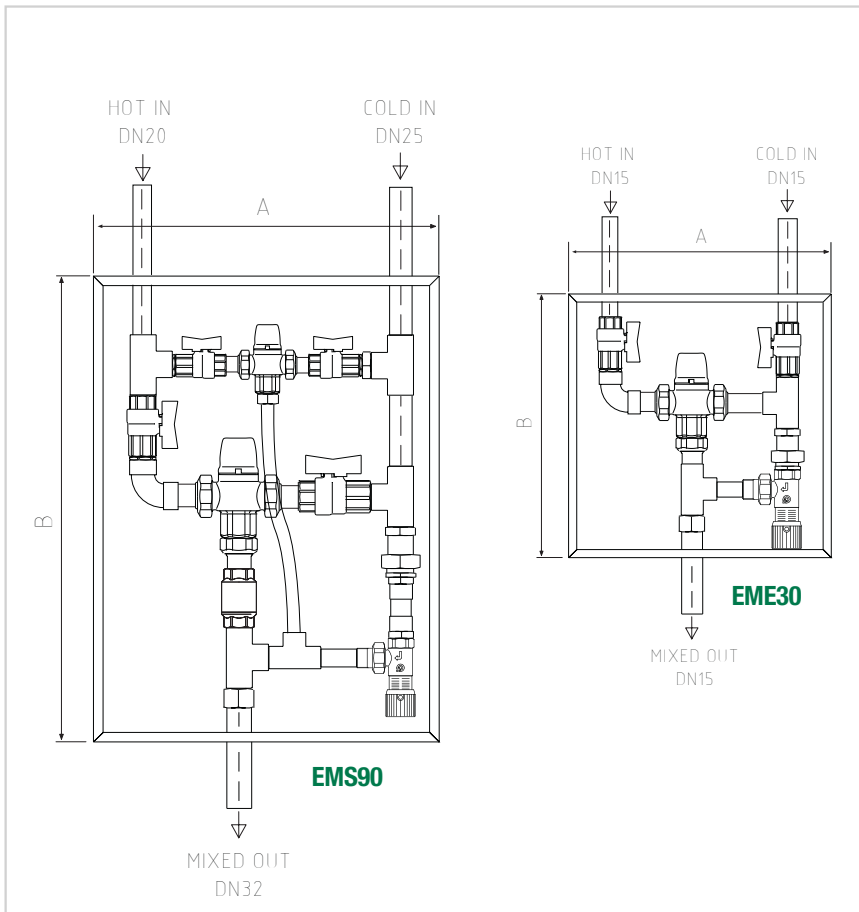
The valve is preset at approx 34°C, however, it is the responsibility of the specifier to determine the correct water temperature to each safety fixture, especially in applications where a chemical reaction is increased by water temperature.

TECHNICAL SPECIFICATIONS

TEMP ADJUSTMENT RANGE	30-50°C
COLD INLET TEMPERATURE RANGE	5-30°C
HOT INLET TEMPERATURE RANGE	55-100°C
MAX WORKING PRESSURE (STATIC)	1400kPa
DYNAMIC PRESSURE RANGE	210*-500kPa
MAX UNBALANCED SUPPLY PRESSURE	6:1
MINIMUM FLOW RATE	2.5 l/min
MAX RECOMMENDED FLOW @ 150KPA DP EME30 - EYEWASH UNIT EMS90 - COMBO UNIT	30 l/min 90 l/min

* MINIMUM PRESSURE REQUIRED AS PER AS4775

DIAGRAM



ENCLOSURE DETAILS

PART NUMBER	EME30	EMS90
HEIGHT	300mm	400mm
WIDTH	300mm	650mm
DEPTH	70mm	70mm
HOT INLET	15mm	20mm
COLD INLET	15mm	25mm
TEPID OUTLET	15mm	32mm

CODES	EYEWASH	COMBO SHOWER
IN SS BOX	EME30SSBOX	EMS90SSBOX
ON GAL PLATE	EME30PL	EMS90PL