



SOLAR TMV

15MM, 20MM, 25MM



PROVIDES SAFE TEMPERATURE WARM WATER

FUNCTION AND FEATURES

- | | |
|---|---|
| ■ Available 15mm, 20mm, 25mm | ■ Suitable for multiple outlet applications |
| ■ Superior flow rates | ■ Easy to service |
| ■ Hot inlet up to 100°C | ■ Max 86 L/min (25mm) |
| ■ Watermarked & NSW Health Approved | ■ Superior temperature stability |
| ■ 20kPa - 500kPa dynamic pressure range | ■ 6:1 Inlet pressure ratio |

PRODUCT SPECIFICATIONS

The Caleffi 2522TM series is a high performance thermostatic mixing valve and has been specifically designed and manufactured to meet and exceed the requirements of: "AS 4032.1 Thermostatic Mixing Valves-Materials, Design and Performance requirements".

In certain sections of our society, there is a need to protect the most vulnerable from the danger of scalding caused by hot water. Hence, the need for thermostatic mixing valves. The Caleffi 2522TM series provides water at a safe and usable temperature in situation where the control of the temperature of the water discharging from an outlet is of the utmost importance, i.e. within hospitals, schools, nursing homes, etc.

This particular series of valves can be used with high temperature water in solar applications. The valve is designed to prevent the flow of water discharging from the mixed water outlet in the event of the failure of hot or cold supply. The valve is complete with strainer and check valve at both hot and cold inlets.

THERMOSTATIC MIXING VALVE 15MM

CODE	CONN.
252212TMX	15mm



THERMOSTATIC MIXING VALVE 20MM

CODE	CONN.
252219TMX	20mm

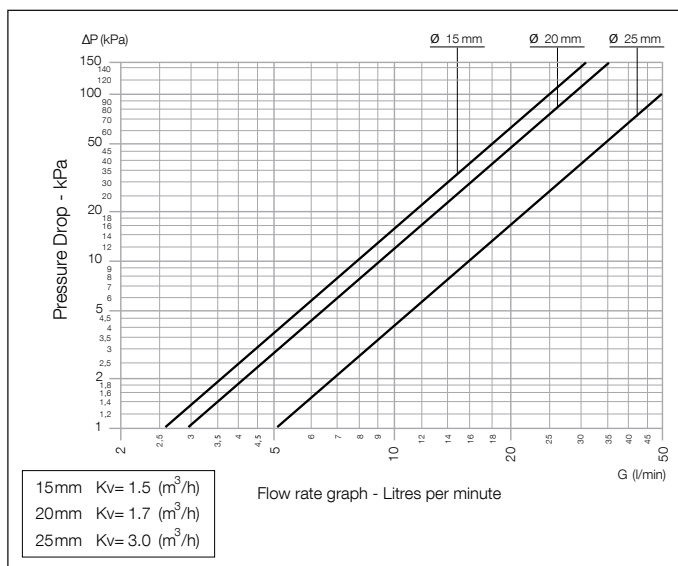


THERMOSTATIC MIXING VALVE 25MM

CODE	CONN.
252225TM	25mm



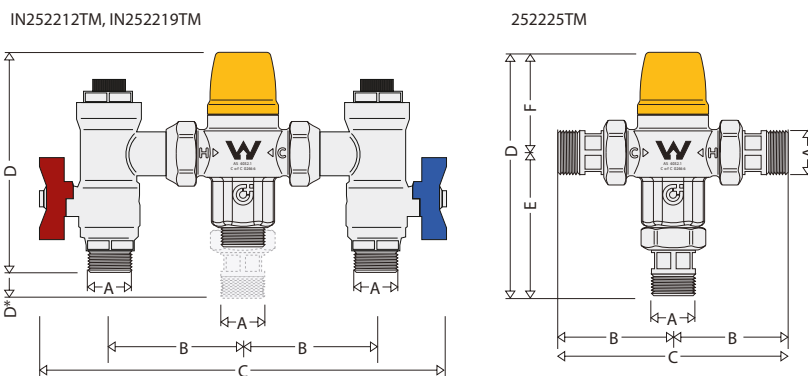
PRESSURE LOSS CHART



TECHNICAL SPECIFICATIONS

TEMPERATURE ADJUSTMENT RANGE	30-50°C
TEMPERATURE CONTROL	± 2°C
COLD INLET TEMPERATURE RANGE	5-30°C
HOT INLET TEMPERATURE RANGE	55-100°C
MAXIMUM WORKING PRESSURE (STATIC)	1400kPa
DYNAMIC PRESSURE RANGE	20-500kPa
MAXIMUM UNBALANCED SUPPLY PRESSURE	6:1
MINIMUM FLOW RATE	4 l/min

DIAGRAM



* Only for 252219TMX & 252225TM

CODE	252212TMX	252219TMX	252225TM
A	15mm	20mm	25mm
B	60.5	74	85.5
C	194	230	171
D	103	130.5	166.5
E			102.5
F			64



All Valve
INDUSTRIES

280712-01

WE RESERVE THE RIGHT TO CHANGE OUR PRODUCTS AND THEIR RELEVANT TECHNICAL DATA, CONTAINED IN THIS PUBLICATION, AT ANY TIME AND WITHOUT PRIOR NOTICE.

All Valve industries Pty Ltd. · Unit 2, 18-28 Sir Joseph Banks Drive
Kurnell NSW 2231 - Ph: +61 2 8543 9811 · Fax: +61 2 8543 9822
www.allvalve.com.au · info@allvalve.com.au · © Copyright 2013