



PRIMARY TEMP CONTROL VALVE

20MM



CONTROLS HIGH TEMPERATURE WATER IN SOLAR SYSTEMS

FUNCTION AND FEATURES

- | | |
|-----------------------------------------|------------------------------------------------|
| ■ Available in 20mm | ■ Suitable up to 100°C inlet temperature |
| ■ Superior flow rates | ■ Quickly and easily adjustable from 35 - 65°C |
| ■ 20kPa - 500kPa dynamic pressure range | ■ Superior temperature stability |

PRODUCT SPECIFICATIONS

The 2521 series tempering valve is typically used in solar heating systems to step down and control the high incoming temperature to a pre-set temperature, able to be used on the secondary circuits. Its function is to maintain the temperature of the mixed water supplied to the user constant at the set value when there are variations in the conditions of the hot and cold water at the inlet.

This valve is not approved as a tempering valve or thermostatic mixing valve and should only be used in non-potable applications such as closed loop solar heating systems.

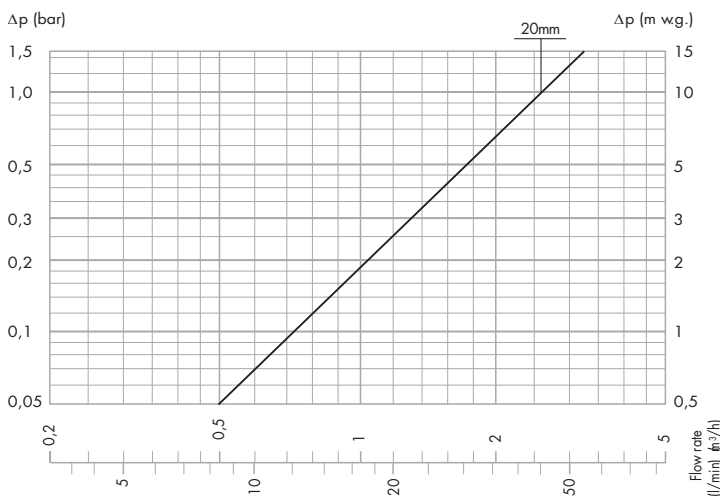
TECHNICAL SPECIFICATIONS

TEMPERATURE ADJUSTMENT RANGE	30-65°C
TEMPERATURE CONTROL	± 2°C
COLD INLET TEMPERATURE RANGE	5-30°C
HOT INLET TEMPERATURE RANGE	55-100°C
MAXIMUM WORKING PRESSURE (STATIC)	1,400kPa
DYNAMIC PRESSURE RANGE	20-500kPa
MAXIMUM UNBALANCED SUPPLY PRESSURE	2:1
MINIMUM FLOW RATE	5 l/min

CODE	CONN.
252153	20mm



PRESSURE LOSS CHART



TEMPERATURE ADJUSTMENT

The temperature is set at the desired value using the control knob with the graduated scale on the valve.

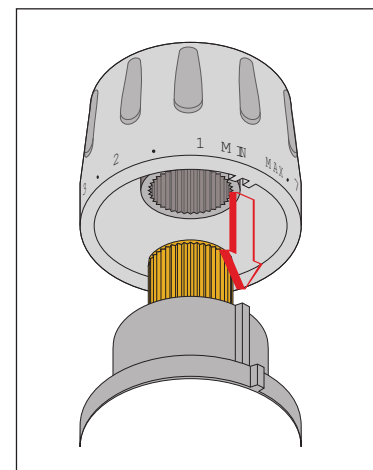
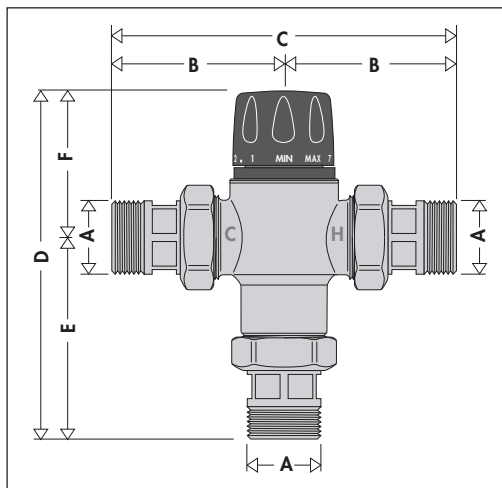
Pbs.	Min	1	2	3	4	5	6	7	Max
20mm (°C)	27	32	38	44	49	53	58	63	67

LOCKING THE SETTING

Turn the knob onto the required number, unscrew the upper screw, remove the knob and put it back on so that the internal reference couples with the protrusion on the knob holder nut.

DIAGRAM

CODE	252153
A	20mm
B	67
C	134
D	152
E	86.5
F	72
WEIGHT	1.12kg



CALEFFI
SOLAR



CALEFFI
Hydronic Solutions

280712-01