



AVK RESILIENT SEAT GATE VALVE PN16

57/98

To AS 2638.2, reduced weight and environmentally friendly
 Stem sealing exchangeable under pressure
 Face to face dimension to AS 2638.2
 Flange and drilling to AS 4087 Figure B5 (AS 2129 Table D and raised face) or AS 2129 Table E and raised face

Use:

- For water, sewage and neutral liquid applications
- Valve designed for use up to 70°C
- Where applicable; for AS 4020 compliance, max temp = 40°C
 Note: Always observe pipe material recommended operating temperatures

Tests:

- Hydraulic test to AS 2638.2:
 - Seat: 17.6 bar
 - Body: 24 bar
 - Operating torque test

Optional Extras:

- Stem cap (refer to series 57/90)
- NBR wedge



Quality
 ISO 9001
 SAI GLOBAL



Health & Safety
 AS 4801
 SAI GLOBAL



Environment
 ISO 14001
 SAI GLOBAL



DN50, 65, 80, 200,
 225, 250 & 300

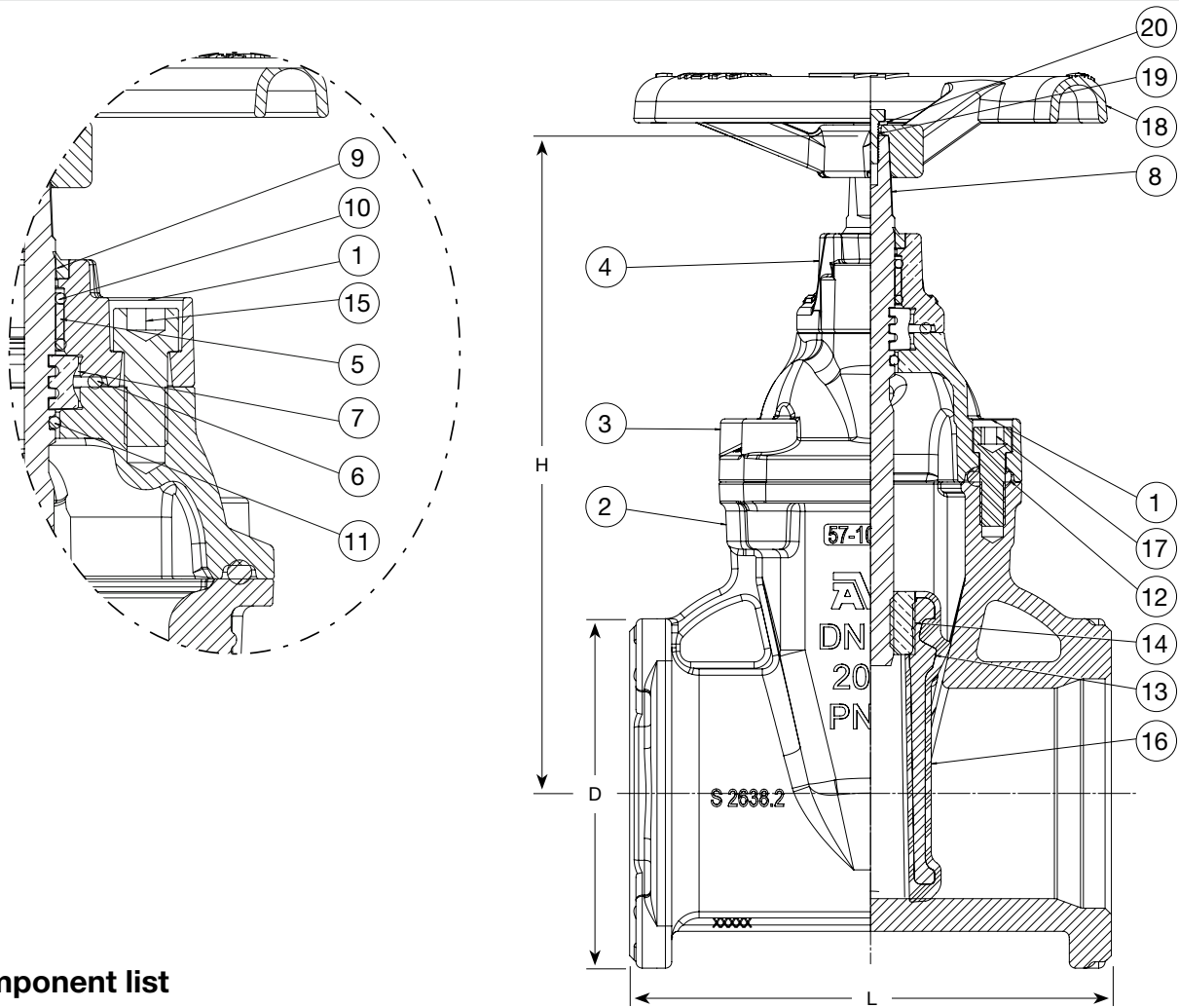


DN100



DN150

Expect... **AVR**



Component list

1. Hot melt seal		12. Bonnet gasket	EPDM rubber
2. Body	Ductile Iron, 500-7 to AS 1831	13. Wedge	Ductile Iron, 500-7 to AS 1831
3. Bonnet	Ductile Iron, 500-7 to AS 1831	14. Wedge nut	Dezincification resistant brass, CZ 132 to AS 2345
4. Gland flange	Ductile Iron, 500-7 to AS 1831	15. Bolt socket	Grade 8.8 Galvanised, fully encapsulated with hot melt glue
5. Bushing	Polyamid	16. Wedge rubber	EPDM
6. O-ring	NBR	17. Bolt socket	Grade 8.8, fully encapsulated with hot melt glue
7. Thrust collar	Dezincification resistant brass, CZ 132 to AS 2345	18. Handwheel	Ductile Iron, 400-12 to AS 1831
8. Stem	Stainless Steel 431	19. Hex bolt	Stainless Steel
9. Wiper ring	NBR	20. Washer	
10. O-ring	NBR		
11. O-ring	NBR		

Components can be substituted with equivalent or higher class materials.

Reference nos. and dimensions - Flange drilling to AS 4087 Figure B5 (AS 2129 Table D)

AVK ref. nos. CC	AVK ref. nos. ACC	DN mm	L mm	H mm	D mm	Hold OD mm	Holes nos.	Bolt PCD	Weight kg	Handwheel OD mm
57-050-980543120	57-050-981543120	50*	178	310	165	18.5	4	114	20.1	225
57-065-980543120	57-065-981543120	65*	190	320	185	18.5	4	127	21.1	225
	Refer 570/98 Datasheet	80								
	Refer 570/98 Datasheet	100								
	Refer 570/98 Datasheet	150								
	Refer 570/98 Datasheet	200								
57-225-980543120	57-225-981543120	225	305	637	370	18.5	8	324	107.2	500
57-250-980543120	57-250-981543120	250	330	648.5	405	22.5	8	356	111.2	500
57-300-980543120	57-300-981543120	300	356	724	455	22.5	12	406	156.2	500
	Refer 57/48 Datasheet	375								
	Refer 57/48 Datasheet	400								

* Not specified in AS 2638.2

Reference nos. and dimensions - Flange drilling to AS 2129 Table E

AVK ref. nos. CC	AVK ref. nos. ACC	DN mm	L mm	H mm	D mm	Hold OD mm	Holes nos.	Bolt PCD	Weight kilos	Handwheel OD mm
57-050-980543120	57-050-981543120	50*	178	310	165	18.5	4	114	20.1	225
57-065-980543120	57-065-981543120	65*	190	320	185	18.5	4	127	21.1	225
Refer 570/98 Datasheet		80								
57-100-980643120	57-100-981643120	100	229	313	215	18.5	8	178	20	225
Refer 570/98 Datasheet		150								
Refer 570/98 Datasheet		200								
57-225-980643120	57-225-981643120	225	305	637	370	22.5	12	324	107.2	500
57-250-980643120	57-250-981643120	250	330	648.5	405	22.5	12	356	111.2	500
57-300-980643120	57-300-981643120	300	356	724	455	26.5	12	406	156.2	500
Refer 57/48 Datasheet		375								
Refer 57/48 Datasheet		400								

* Not specified in AS 2638.2

Reference nos. and dimensions - NBR wedge & bonnet gasket

Flange drilling to AS 4087 Figure B5 (AS 2129 Table D)

AVK ref. nos. CC	AVK ref. nos. ACC	DN mm	L mm	H mm	D mm	Hole OD mm	Holes nos.	Bolt PCD	Weight kilos	Handwheel OD mm
57-080-980533120	57-080-981533120	80*	203	326	185	18.5	4	146	22.1	225
57-100-980533120	57-100-981533120	100*	229	313	215	18.5	4	178	20	225
57-150-980533120	57-150-981533120	150*	267	464	280	18.5	8	235	42.3	280
57-200-980533120	57-200-981533120	200*	292	563	335	18.5	8	292	83.2	360

* Not specified in AS 2638.2

Reference nos. and dimensions - NBR wedge & bonnet gasket

Flange drilling to AS 2129 Table E

AVK ref. nos. CC	AVK ref. nos. ACC	DN mm	L mm	H mm	D mm	Hole OD mm	Holes nos.	Bolt PCD	Weight kilos	Handwheel OD mm
57-080-980533120	57-080-981533120	80*	203	326	185	18.5	4	146	22.1	225
57-100-980633120	57-100-981633120	100*	229	313	215	18.5	8	178	20	225
57-150-980633120	57-150-981633120	150*	267	464	280	22.5	8	235	42.3	280
57-200-980633120	57-200-981633120	200*	292	563	335	22.5	8	292	83.2	360

* Not specified in AS 2638.2